



CUSTOM APPLICATIONS AND SPECIAL ENCLOSURES



CUSTOM APPLICATIONS AND SPECIAL ENCLOSURES

Vulcan, the leader in the industry with the most diverse and complete line of finned tube products, is also the best choice for custom finned tube applications. With its top-notch engineering staff and experienced customer service support, Vulcan is the number one choice of architects, building owners and design engineers across North America.

The following is just a small sample of Vulcan's custom enclosures over the last 70 years. Contact Vulcan today for help with your special applications – limited only by your imagination.



260 North Elm St., Westfield, MA 01089

Tel: (413) 568-9571 Fax: (413) 564-5661

www.vulcanrad.com

CONTENTS

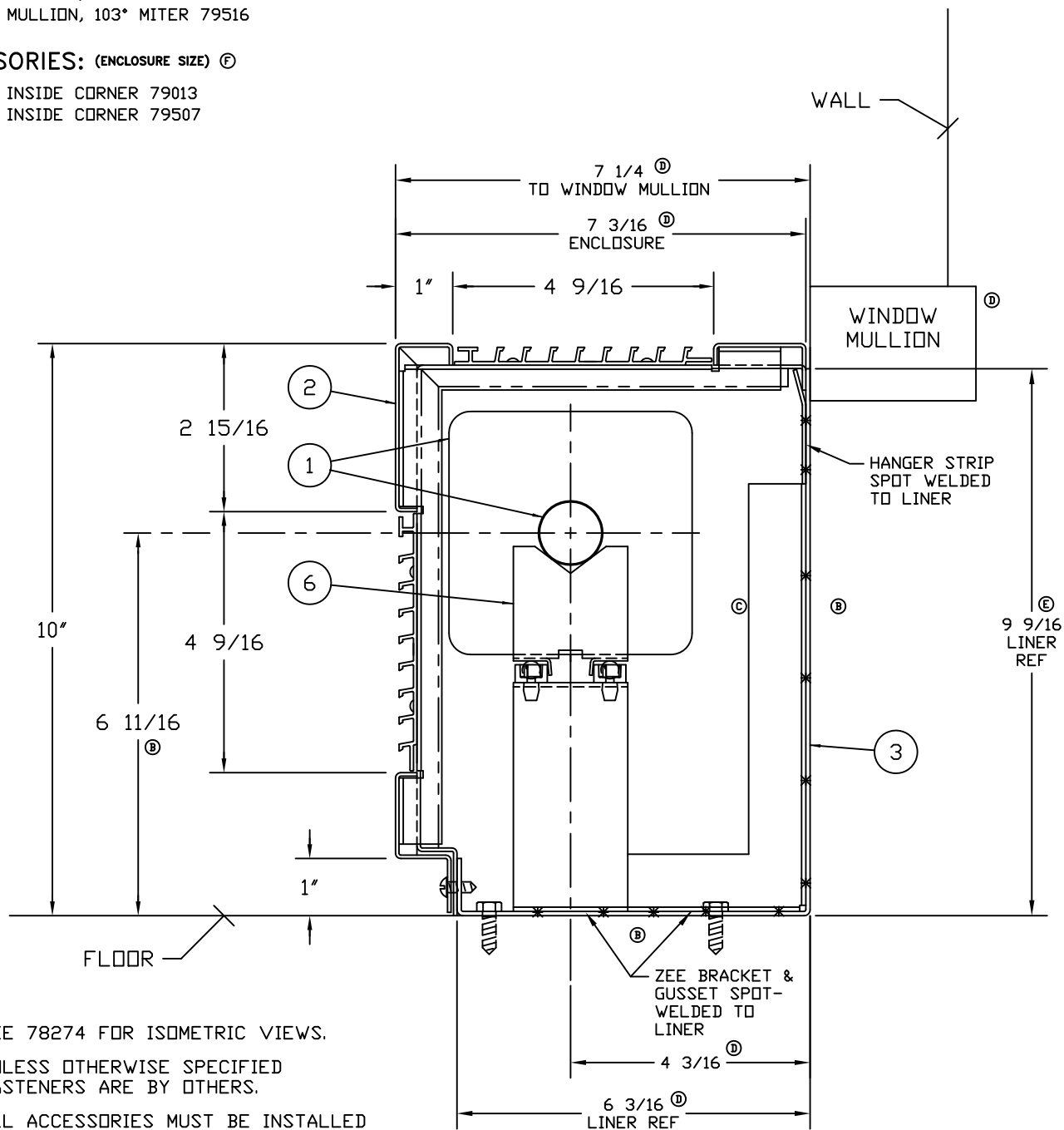
V-AR10 7-3/4" Depth To-Floor Extruded Aluminum Inlet 78273G
Isometric View V-AR10 7-3/4" Depth To-Floor Extruded Aluminum Inlet 78274D
BG-1 8-Vane Bar Grille Assembly 6-Inch Increments 74783A
BG-1 Custom Drop-In Bar Grille Assembly 75796A
DVDB VR02 79026C
Custom Mullion Mounted Cabinets 15" Depth x 32" Height 86975A
Installation View Custom Mullion Mounted Cabinets 15" Depth x 32" Height 86976
JV4-AR9 Bottom Extruded Aluminum Inlet Grille 74388
JV4-AR34 To-Floor Extruded Aluminum Inlet Mullion Mounted 77909
JV-AR6 13-1/2" Depth 89572B
JV-AR14 6" Depth 85482A
Plan View JV-AR14 6" Depth 85483A
LV-T22 16" Depth with Fixed Mullion Removable Front 80964E
Isometric View LV-T22 16" Depth with Fixed Mullion Removable Front 80972F
LV4-PM Curved with Return Above 88258A
Plan View LV4-PM Curved with Return Above 88259
LV4-T 10-1/2" Mounting Height Return-To-Wall Front Inlet with Sill Extension 86019C
LV4-T14 Curved 86121A
Plan View LV4-T14 Curved 861
LV-T6 8" Depth To-Floor Perforated Inlet and Outlet 83167F
LV-T11 6-1/2" Depth To-Floor Louvered Inlet with Toe Space 88352
Installation View Mullion Mounted 7" Depth 25-1/2" Height 86118
Mullion Mounted Custom Enclosure 7" Depth 25-1/2" Height 86117°
V3-AR8 Mullion Mounted Custom Enclosure 81511E
Isometric View V3-AR8 Mullion Mounted Custom Enclosure 81512C

ACCESSORIES: (UNDERLAPPING)

- Ⓒ 4' CENTER SUPPORT MULLION 79510
- Ⓒ 4' END MULLION 79512
- Ⓒ 4' END MULLION, 79° MITER 79514
- Ⓒ 4' END MULLION, 103° MITER 79516

ACCESSORIES: (ENCLOSURE SIZE) Ⓔ

- Ⓔ 75° LH INSIDE CORNER 79013
- Ⓔ 75° RH INSIDE CORNER 79507



NOTES:

- 1. SEE 78274 FOR ISOMETRIC VIEWS.
- 2. UNLESS OTHERWISE SPECIFIED FASTENERS ARE BY OTHERS.
- Ⓒ 3. ALL ACCESSORIES MUST BE INSTALLED PRIOR TO INSTALLING THE ENCLOSURES.
- Ⓒ 4. 5' 11" SEE DWG 79491
5' 5" SEE DWG 79492
5' 1" SEE DWG 79493
4' 11" SEE DWG 79494
4' 6" SEE DWG 79495
4' 3" SEE DWG 79496
2' 10 3/4" SEE DWG 79497
Ⓒ 1' 10" SEE DWG 80780
- Ⓒ 5. 5' 2", 5' 1/2" & 4' 3 1/2" SEE DWG 79503
1' 11 1/2" & 1' 7 1/2" SEE DWG 79504

6	CRADLE #2	8740	18 GA GALV
Ⓒ 5	-	-	-
Ⓒ 4	-	-	-
Ⓒ 3	BOTTOM/BACK LINER ASS'Y Ⓔ	SEE NOTE-5	14 GA CRS
Ⓒ 2	ENCLOSURE ASS'Y Ⓔ Ⓐ	SEE NOTE-4	14 GA ALUM
1	ELEMENT - SEE BELOW	Ⓐ 21864	AS SPECIFIED

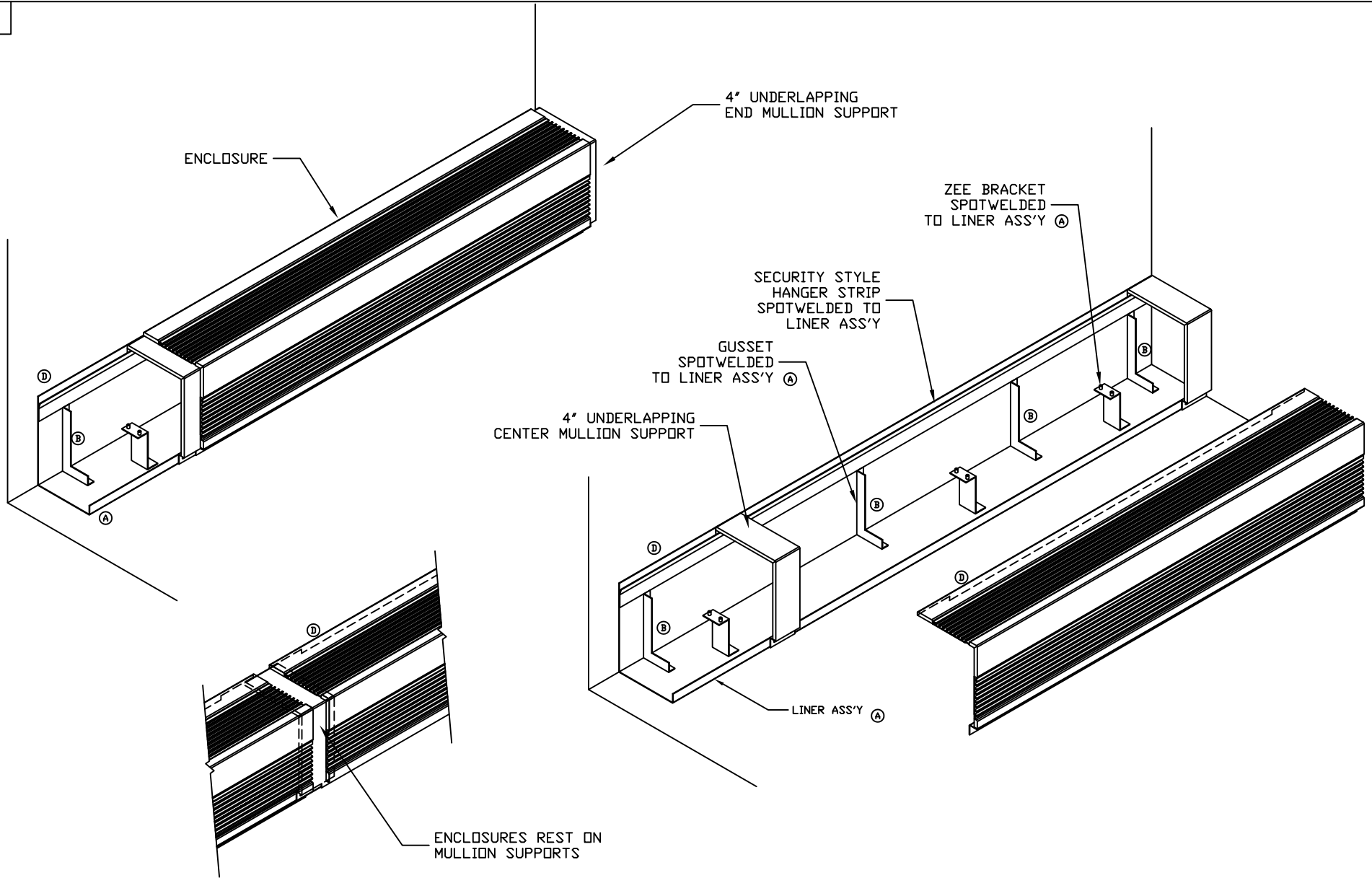
ITEM	DESCRIPTION	DWG. NUMBER	MATERIAL
G	N/A	ADDED 1' 10" LENGTH DWG 80780	4/15/13 RJP
F	N/A	CHANGED 75° UNDERLAPPING CORNERS TO ENCLOSURE SIZE ACCESSORIES	12/6/12 MDG RJP
E	N/A	ADDED NOTES & DETAILS, LINER WAS 9 15/16	8/20/12 MDG SFL
D	N/A	CHANGED DEPTH, 7 1/4 WAS 7 13/16, 7 3/16 WAS 7 3/4, 4 3/16 WAS 4 3/4, 6 3/16 WAS 6 3/4	6/7/12 SFL RJP
C	N/A	CHANGED GUSSET DESIGN TO SELF LOCATE THE BRACKET AND HANGER STRIP, ADDED 75° CORNER DETAIL AND NOTE-3	6/5/12 SFL RJP
B	N/A	ADDED LINER ASS'Y	4/3/12 MDG RJP
A	N/A	ADDED DETAILS	2/1/12 SFL RJP
LET.	ECN NO.	REVISION	DATE BY APVD.

Vulcan Hydronic Products
260 North Elm Street Westfield, MA 01085
Division of Mestek, Inc.

DATE 1/24/12 JOB NAME
DRN BY RJP John Hopkins UTL Project
CHK BY SFL
SCALE 1=1.5
ELEMENT VC45 1' COPPER TUBE
4 1/4 X 4 1/4 ALUMINUM FIN .020 50/FT

TITLE INSTALLATION DWG. NO. REV.
AR10 7 1/4 D TFEI Ⓒ 78273 G

THIS PRINT AND ALL INFORMATION APPEARING THEREIN IS THE PROPERTY OF MESTEK INC. NEITHER THE PRINT NOR THE INFORMATION THEREIN MAY BE REPRODUCED OR USED IN ANY MANNER WHATSOEVER OR DIVULGED TO ANY OTHER PERSON UNLESS SPECIFICALLY AUTHORIZED BY MESTEK INC.

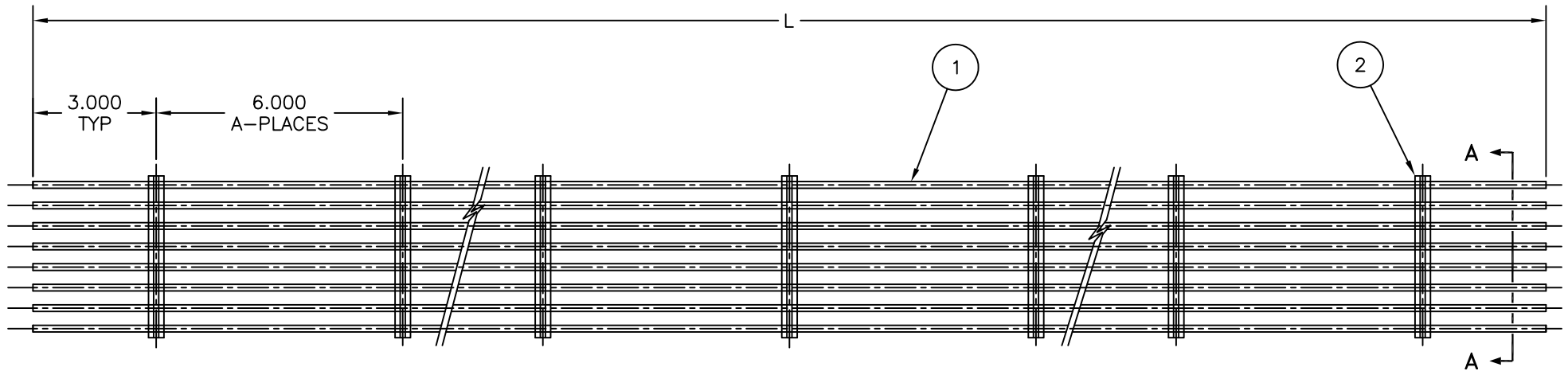


NOTES:

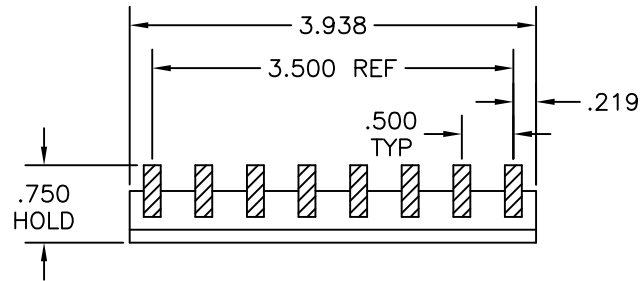
1. SEE 78273 FOR SECTION VIEW.
2. UNLESS OTHERWISE SPECIFIED FASTENERS ARE BY OTHERS.

THIS PRINT AND ALL INFORMATION APPEARING THEREIN IS THE PROPERTY OF MESTEK INC. NEITHER THE PRINT NOR THE INFORMATION THEREIN MAY BE REPRODUCED OR USED IN ANY MANNER WHATSOEVER OR DIVULGED TO ANY OTHER PERSON UNLESS SPECIFICALLY AUTHORIZED BY MESTEK INC.

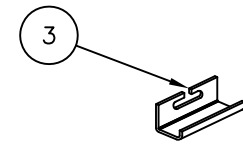
HYDRONIC HEATING PRODUCTS										C
260 North Elm St. Westfield, Mass. 01085										
DIVISION OF MESTEK, INC.										
DATE 1/24/12		JOB NAME								John Hopkins UTL Project
DRN. BY RJP		ELEMENT								
CHK. BY SFL		SCALE 1=8								
TITLE		ISOMETRIC VIEWS						DWG. NO.		REV.
AR10 7 1/4 D TFEI ©		78274						D		
D	N/A	REVISED LINER & NOTCHED COVER	8/29/12	MDG						
C	N/A	DEPTH WAS 7 3/4	6/7/12	SFL	RJP					
B	N/A	REDESIGNED GUSSET	6/5/12	SFL	RJP					
A	N/A	ADDED LINER ASS'Y	4/3/12	MDG	RJP					
LET.	ECN NO.	REVISION	DATE	BY	APVD.					



ASS'Y NO. 74783	L	A	ITEM-2 QTY	ITEM-3 QTY
-012	12'	1	2	4
-018	18'	2	3	4
-024	24'	3	4	4
-030	30'	4	5	4
-036	36'	5	6	4
-042	42'	6	7	4
-048	48'	7	8	6
-054	54'	8	9	6
-060	60'	9	10	6
-066	66'	10	11	6
-072	72'	11	12	6
-078	78'	12	13	6
-084	84'	13	14	6
-090	90'	14	15	6
-096	96'	15	16	6



SECTION A-A
SCALE 2X



NOTES:

- STANDARD GRILLE LENGTHS ARE 1'-8" IN 6" INCREMENTS.
- SLIDE LOCKS (ITEM 3) ARE SHIPPED LOOSE AND FIELD INSTALLED.

DO NOT SCALE DWG.
UNLESS OTHERWISE SPECIFIED
TOLERANCES
FRACTIONS ± 1/64
DECIMALS ± .010
ANGLES ± 1°
BEND RADII 1/32 I.S.
BREAK SHARP EDGES

ITEM	DESCRIPTION	DWG. NUMBER	MATERIAL	QTY
③	SLIDE LOCK	73533	18 GA GALV	SEE TABLE
②	CROSS BAR, 3 15/16	73220-007	6063 T52	SEE TABLE
①	BG1 GRILLE VANE	73931	6063 T52	8

HYDRONIC HEATING PRODUCTS
260 North Elm St. Westfield, Mass. 01085
DIVISION OF MESTEK, INC.

DATE: 11/1/10
JOB NAME: -
DRN. BY: SFL
CHK. BY: RJP
SCALE: 1=2
REFERENCE: -

TITLE	BG1 GRILLE ASSEMBLY 8 VANE, 3 15/16 WIDE	DWG. NO.	74783	REV.	A
-------	---	----------	-------	------	---

A	-	.750 HOLD WAS .750	8/7/12	SFL	
LET.	ECN NO.	REVISION	DATE	BY	APVD.

ACCESSORIES: (FLAT OVERLAPPING)

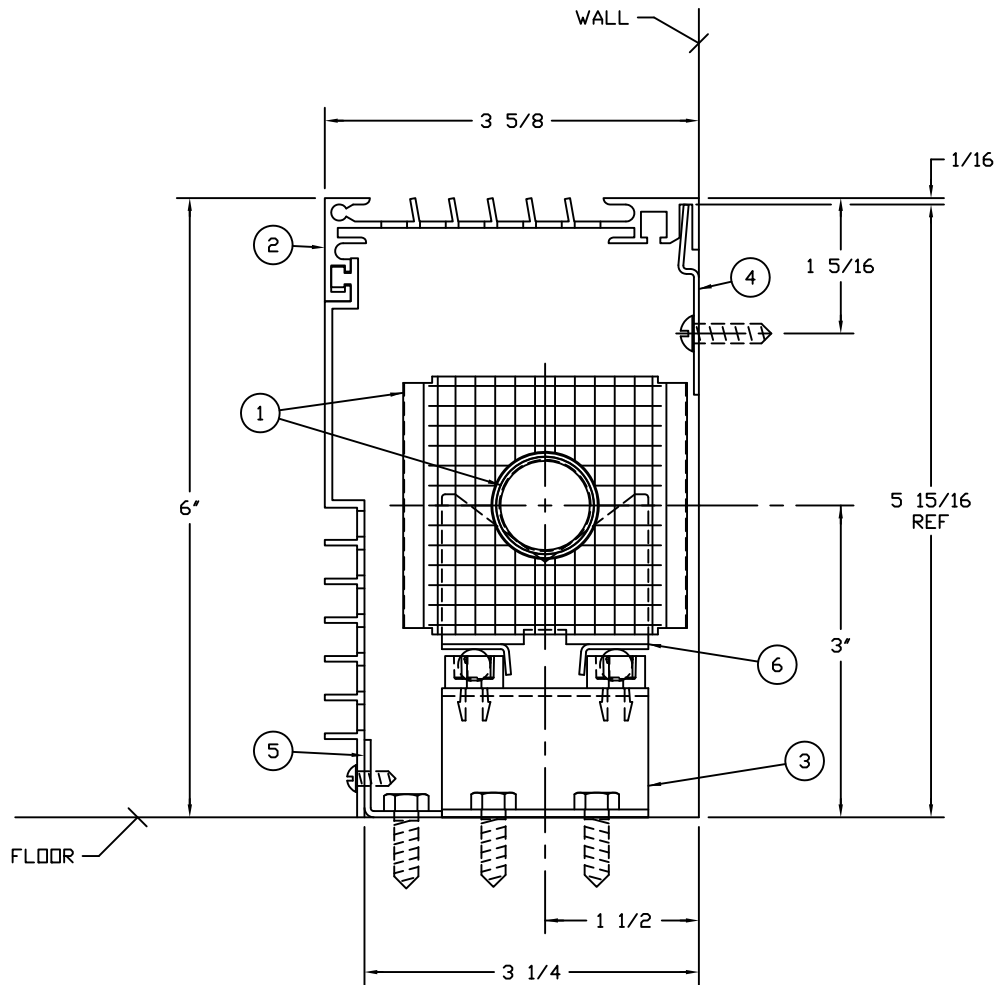
3" END CAP 73487

8 3/8" END CAP W/AD 76875

ⓑ 2" WALL SLEEVE 73490-5

ⓒ 3" WALL SLEEVE 73490-1

79026
C



Water Rating:
400 Btu/Lin Ft/Hr
150°F. Average Water
65°F. Entering Air

NOTES:

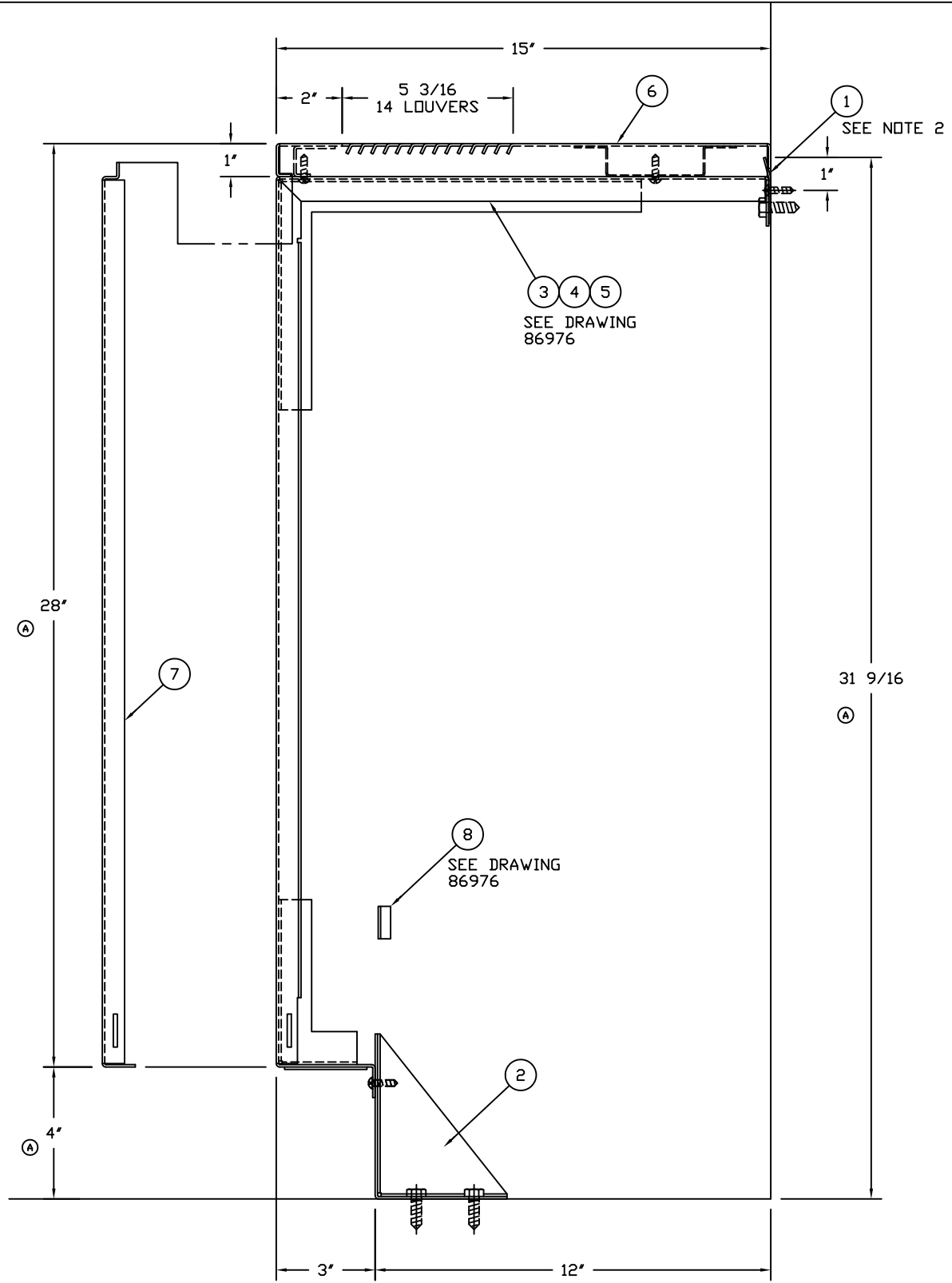
1. UNLESS OTHERWISE SPECIFIED FASTENERS ARE BY OTHERS.
2. STANDARD LENGTHS 73369
- ⓐ SPECIAL LENGTHS 79172

ITEM	DESCRIPTION	DWG. NUMBER	MATERIAL
6	CRADLE #1	8739	18 GA GALV
Ⓟ	3/4 x 3/4 FLOOR ANGLE	47065	16 GA GALV
4	V-610 HANGER STRIP	12930	18 GA GALV
ⓐ	ZEE BRACKET ASS'Y	71446-25	14 GA GALV
ⓑ	ENCLOSURE ASS'Y	SEE NOTE-2	ALUMINUM
1	ELEMENT - SEE BELOW	49259	AS SPECIFIED

Vulcan Hydronic Heating Products 260 North Elm St. Westfield, Mass. 01085 DIVISION OF MESTEK, INC.			
DATE	6/6/12	JOB NAME	Cedar
DRN BY	RJP	ELEMENT	
CHK BY	SFL	VR02 3/4 COPPER TUBE	
SCALE	1=1	2 3/4 x 2 1/2 ALUMINUM FIN .010 60/FT	
TITLE	INSTALLATION VULCAN DVDB		REV. C
DWG. NO.	79026		

THIS PRINT AND ALL INFORMATION APPEARING THEREON IS THE PROPERTY OF MESTEK INC. NEITHER THE PRINT NOR THE INFORMATION THEREON MAY BE REPRODUCED OR USED IN ANY MANNER WHATSOEVER OR DIVULGED TO ANY OTHER PERSON UNLESS SPECIFICALLY AUTHORIZED BY MESTEK INC.

LET.	ECN NO.	REVISION	DATE	BY	APVD.
C	N/A	ADDED 3" WALL SLEEVE	7/18/14	MDG	
B	N/A	ADDED 2" WALL SLEEVE	1/25/13	MDG	SFL
A	N/A	ADDED SPECIAL LENGTHS DRAWING NO.	6/29/12	SFL	RJP



NOTES:

1. UNLESS OTHERWISE SPECIFIED FASTENERS ARE BY OTHERS.
2. SEE DRAWING 86976 FOR ISOMETRIC INSTALLATION VIEWS.

8	ENCLOSURE LOCK	A	87172	16 GA GAL
7	FRONT PANEL	A	87170	14 GA CRS
6	ENCLOSURE TOP ASS'Y	A	87166	14 GA CRS
5	4" CTR MULLION SUPPORT ASS'Y	A	87164	14 GA CRS
4	4" RH MULLION SUPPORT ASS'Y	A	87160	14 GA CRS
3	4" LH MULLION SUPPORT ASS'Y	A	87160	14 GA CRS
2	TOE KICK ASS'Y	A	87157	14 GA CRS
1	HANGER STRIP		48613	16 GA CRS
ITEM	DESCRIPTION	DWG NUMBER	MATERIAL	

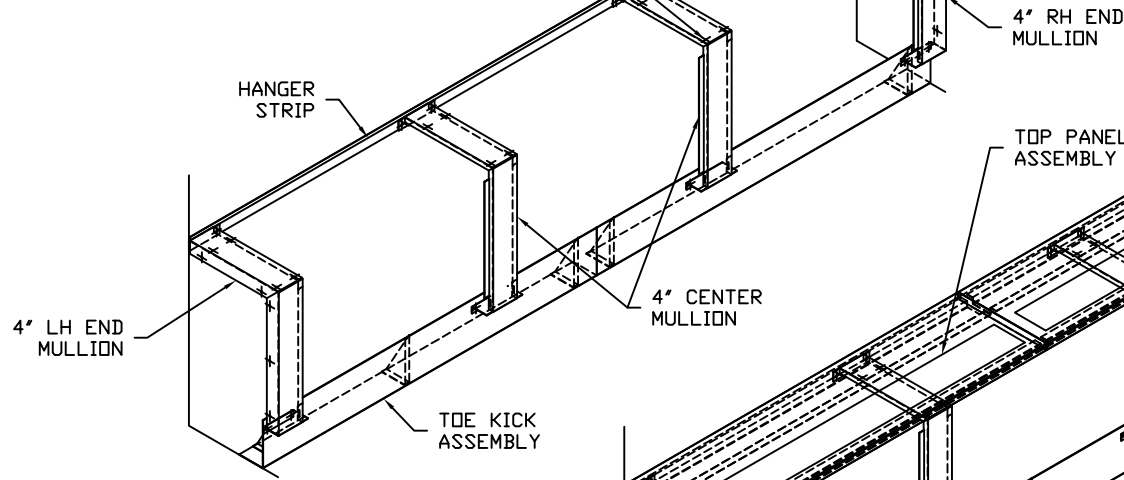
Vulcan Hydronic Products
280 North Elm Street Westfield, MA 01085
Division of Mestek, Inc.

DATE: 7/2/15	JOB NAME:	PS147/339X
DRN BY: SFL	ELEMENT:	
CKD BY: RJP	N/A	
SCALE: 1=2.5		

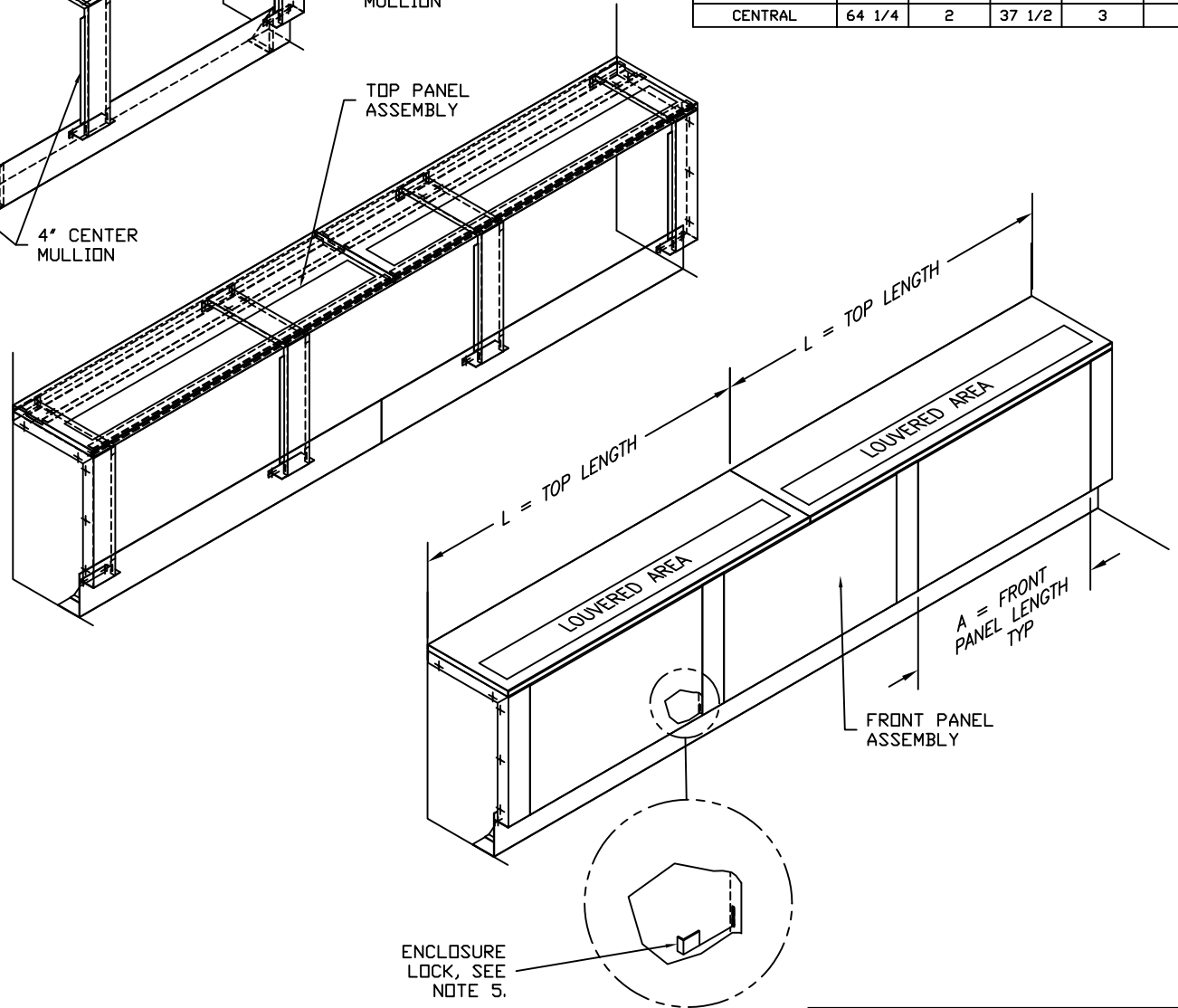
A	N/A	ENCLOSURE HEIGHT WAS 22", INLET WAS 6", ADDED DETAILS	7/17/15	SFL			TITLE: INSTALLATION	DWG NO:	REV
LET	ECN NO	REVISION	DATE	BY	APVD		CUSTOM MULLION STYLE	86975	A

THIS PRINT AND ALL INFORMATION APPEARING THEREON IS THE PROPERTY OF MESTEK INC. NEITHER THE PRINT NOR THE INFORMATION THEREON MAY BE REPRODUCED OR USED IN ANY MANNER WHATSOEVER OR DIVULGED TO ANY OTHER PERSON UNLESS SPECIFICALLY AUTHORIZED BY MESTEK INC.

SECURE TOP TO MULLIONS USING PRE-PUNCHED MOUNTING HOLES



TOP PANEL ASSEMBLY



OFFICE LOCATION	L	TOP QTY.	A	FRONT QTY.	4' CENTER MULLION QTY.
MEDICAL	71'	2	42'	3	2
DENTAL	56 3/4	2	32 1/2	3	2
FIRST FLOOR	40 1/2	1	32 1/2	1	-
FIRST FLOOR	43 1/2	1	35 1/2	1	-
PRINCIPALS	79'	2	34 1/2	4	3
CENTRAL	64 1/4	2	37 1/2	3	2

NOTES:

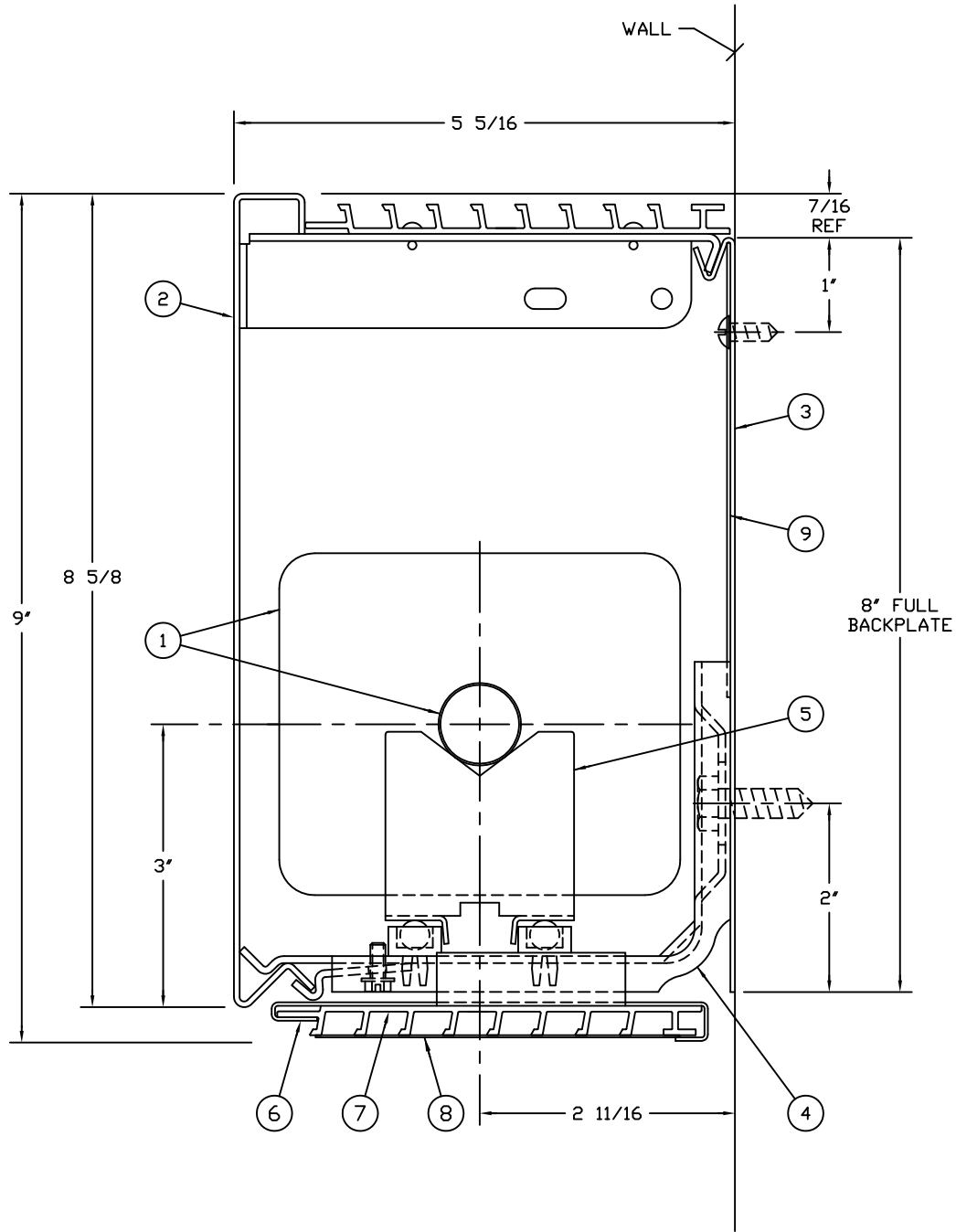
1. UNLESS OTHERWISE SPECIFIED FASTENERS ARE BY OTHERS.
2. INSTALL HANGER STRIP FIRST, ENSURE HARDWARE PLACEMENT WILL NOT INTERFERE WITH THE LOCATION OF MULLION SUPPORTS.
3. SECURE MULLION SUPPORTS TOP TO WALL THROUGH HANGER STRIP AND SECURE BOTTOM TO TOE KICK ASSEMBLY.
4. ENGAGE BACK FLANGE ON TOP ASSEMBLY TO HANGER STRIP. USE PRE-PUNCHED HOLES IN MULLION SUPPORTS TO SECURE TOP ASSEMBLY.
5. INSERT TOP OFFSET OF FRONT PANEL INTO SLOT IN TOP PANEL AND SLIDE BOTTOM ONTO MULLION SUPPORTS. ONCE INSTALLED, MAKE FRONT PANEL AND MULLION SUPPORTS FLUSH AND INSERT ENCLOSURE LOCK THROUGH SLOTS IN SIDE FLANGES ON FRONT PANEL AND MULLIONS.
6. SEE DRAWING 86975 FOR INSTALLATION SECTION VIEW.

ENCLOSURE LOCK, SEE NOTE 5.

THIS PRINT AND ALL INFORMATION APPEARING THEREON IS THE PROPERTY OF MESTEK INC. NEITHER THE PRINT NOR THE INFORMATION THEREON MAY BE REPRODUCED OR USED IN ANY MANNER WHATSOEVER OR DIVULGED TO ANY OTHER PERSON UNLESS SPECIFICALLY AUTHORIZED BY MESTEK INC.

Vulcan Hydronic Products		C
260 North Elm Street Division of Westfield, MA 01085 Mestek, Inc.		
DATE: 7/2/15	JOB NAME: PS147/339X	N/A
DRN BY: SFL	ELEMENT:	
CKD BY: -		
SCALE: 1=15		
TITLE: INSTALLATION CUSTOM MULLION STYLE		DWG NO: 86976
		REV: -

LET	ECN NO	REVISION	DATE	BY	APVD
-	-	-	-	-	-



NOTES:

- 1. ENCLOSURE IS SLIP JOINTED.
- 2. UNLESS OTHERWISE SPECIFIED FASTENERS ARE BY OTHERS.

⑨	STANDOFF	74390	20 GA GALV
8	GRILLE TRIM	10026	ALUMINUM
7	CLASSIC GRILLE	41156	ALUMINUM
⑥	BOTTOM INLET CLIP	41163-3	ALUMINUM
5	CRADLE #2	8740	18 GA GALV
4	L WATER BRACKET ASS'Y	30516	AS SPECIFIED
③	FULL BACKPLATE	74389	20 GA GALV
②	ENCLOSURE ASS'Y	-	14 GA CRS
1	ELEMENT - SEE BELOW	21861	AS SPECIFIED
ITEM	DESCRIPTION	DWG. NUMBER	MATERIAL

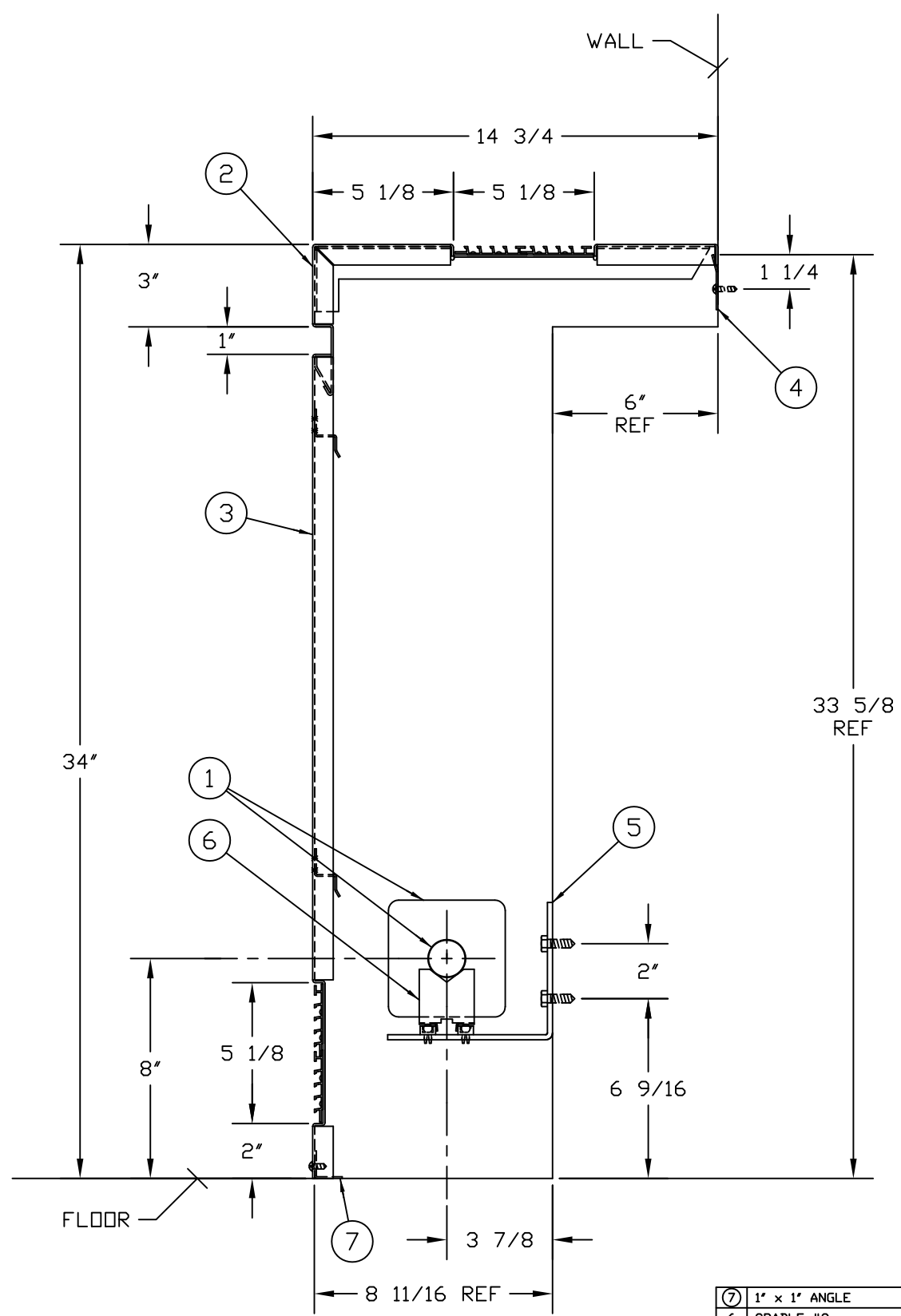
HYDRONIC HEATING PRODUCTS
 260 North Elm St. Westfield, Mass. 01085
 DIVISION OF MESTEK, INC.

C

DATE	5/18/10	JOB NAME	VIP Community Services
DRN BY	RJP	ELEMENT	VC3/4 434 3/4 COPPER TUBE
CHK BY	-		4 1/4 x 3 5/8 ALUMINUM FIN .020 40/FT
SCALE	1=1	TITLE	INSTALLATION JV4-AR9 BEI

LET.	ECN NO.	REVISION	DATE	BY	APVD.	DWG. NO.	REV.
-	-	-	-	-	-	74388	-

THIS PRINT AND ALL INFORMATION APPEARING THEREON IS THE PROPERTY OF MESTEK INC. NEITHER THE PRINT NOR THE INFORMATION THEREON MAY BE REPRODUCED OR USED IN ANY MANNER WHATSOEVER OR DIVULGED TO ANY OTHER PERSON UNLESS SPECIFICALLY AUTHORIZED BY MESTEK INC.



FTR 20/6

NOTES:

1. ENCLOSURE IS SLIP JOINTED.
2. UNLESS OTHERWISE SPECIFIED FASTENERS ARE BY OTHERS.
3. SEE DRAWING 77910 FOR FRONT & TOP VIEWS AND MULLION SUPPORTS.

ITEM	DESCRIPTION	DWG. NUMBER	MATERIAL
7	1" x 1" ANGLE	45102	16 GA GALV
6	CRADLE #2	8740	18 GA GALV
5	ELEMENT SUPPORT ASS'Y	-	3/16 CRS
4	HANGING STRIP	48613	16 GA CRS
3	FRONT ENCLOSURE ASS'Y	-	14 GA CRS
2	TOP ENCLOSURE ASS'Y	-	14 GA CRS
1	ELEMENT - SEE BELOW	23259	AS SPECIFIED

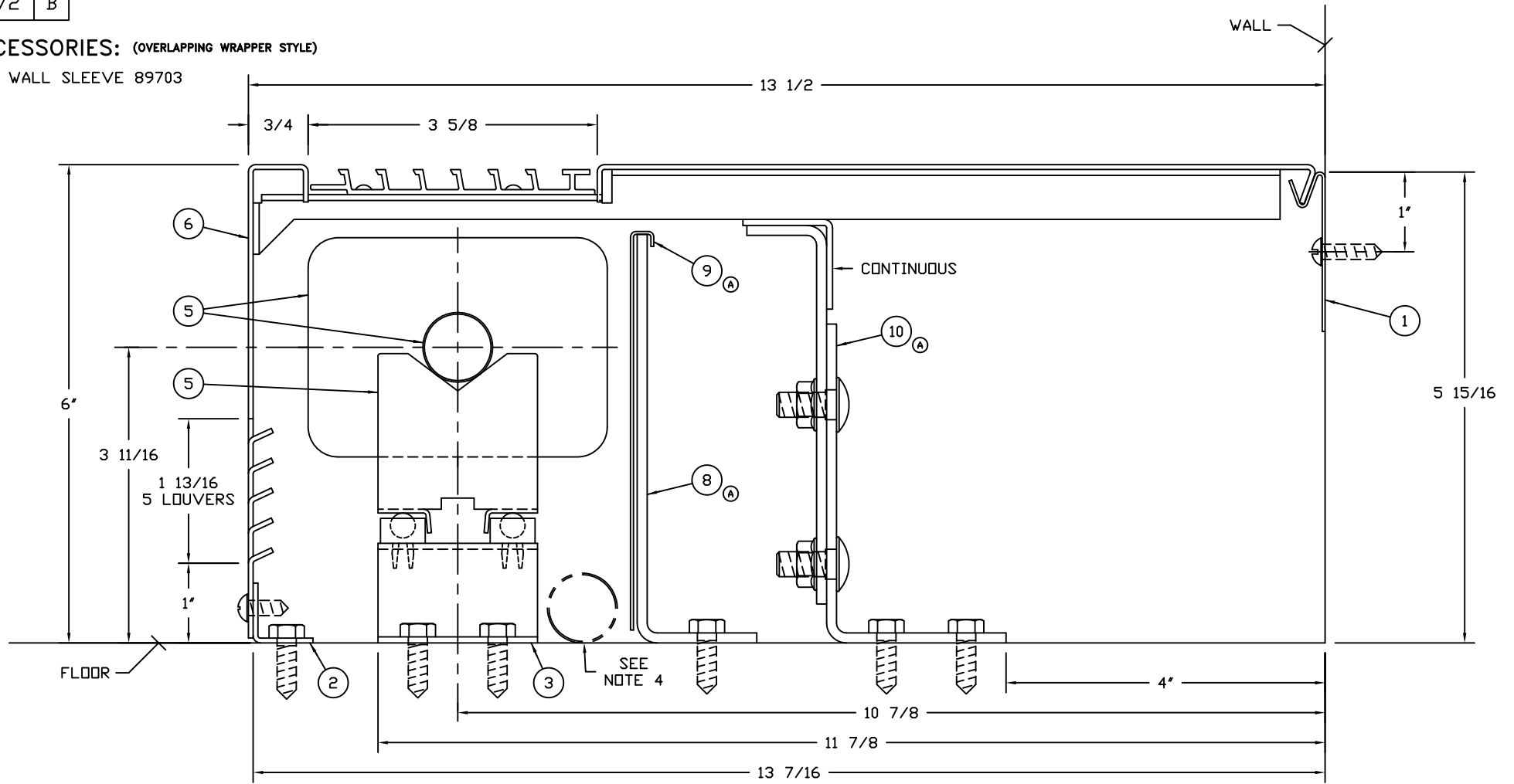
HYDRONIC HEATING PRODUCTS			
260 North Elm St. DIVISION OF		Westfield, Mass. 01085 MESTEK, INC.	
DATE	11/11/11	JOB NAME	
DRN. BY	SFL	Conference Building, NYC	
CHK. BY	-	ELEMENT	VC143 1 1/4 COPPER TUBE
SCALE	1=3	4 1/4 x 4 1/4 ALUMINUM FIN .020 32/FT	
TITLE	INSTALLATION	DWG. NO.	77909
REV.	JV4-AR-34 TFEI	REV.	-

THIS PRINT AND ALL INFORMATION APPEARING THEREON IS THE PROPERTY OF MESTEK INC. NEITHER THE PRINT NOR THE INFORMATION THEREON MAY BE REPRODUCED OR USED IN ANY MANNER WHATSOEVER OR DIVULGED TO ANY OTHER PERSON UNLESS SPECIFICALLY AUTHORIZED BY MESTEK INC.

LET.	ECN NO.	REVISION	DATE	BY	APVD.
-	-	-	-	-	-

ACCESSORIES: (OVERLAPPING WRAPPER STYLE)

⑩ 6' WALL SLEEVE 89703



NOTES:

- 1. ENCLOSURE IS NOT SLIP JOINTED.
- 2. UNLESS OTHERWISE SPECIFIED FASTENERS ARE BY OTHERS.
- 3. ITEM 7 IS ALTERNATE FLOOR ANGLE. NOT SHOWN ABOVE.
- ④ 4. 3/4 COPPER RETURN PIPING SHOWN IS BY OTHERS.

⑩	ADJUSTABLE SUPPORT ASS'Y	⑧ 89699	AS SPEC
⑨	BAFFLE, 5' HIGH	66519-009	20 GA GAL
⑧	BAFFLE SUPPORT BRACKET	⑧ 89705	1/8 CRS
⑦	FLOOR ANGLE, 2' x 1 3/16	84601	16 GA CRS
⑥	ENCLOSURE ASS'Y	⑧ 89644	16 GA CRS
5	ELEMENT - SEE BELOW	2477	CU/ALU
4	CRADLE #2	8740	18 GA GAL
③	ZEE BRACKET ASS'Y	71446-025	14 GA CRS
2	FLOOR ANGLE 3/4 x 3/4	47065	16 GA CRS
①	PARTIAL BACKPLATE	71154	20 GA GAL
ITEM	DESCRIPTION	DWG NUMBER	MATERIAL

Vulcan Hydronic Products
 260 North Elm Street Westfield, Ma 01085
 Division of Westfield, Ma 01085
 Mestek, Inc.

DATE	4/24/16	JOB NAME	GWU - 7th & 8th Floor Fit Out
DRN BY	RJP	ELEMENT	VR04R 3/4 COPPER TUBE
CKD BY	MDG		2 3/4 x 3 3/4 ALUMINUM FIN .0135 50/FT
SCALE	1=1	TITLE	INSTALLATION
		DWG NO	89572
		REV	B

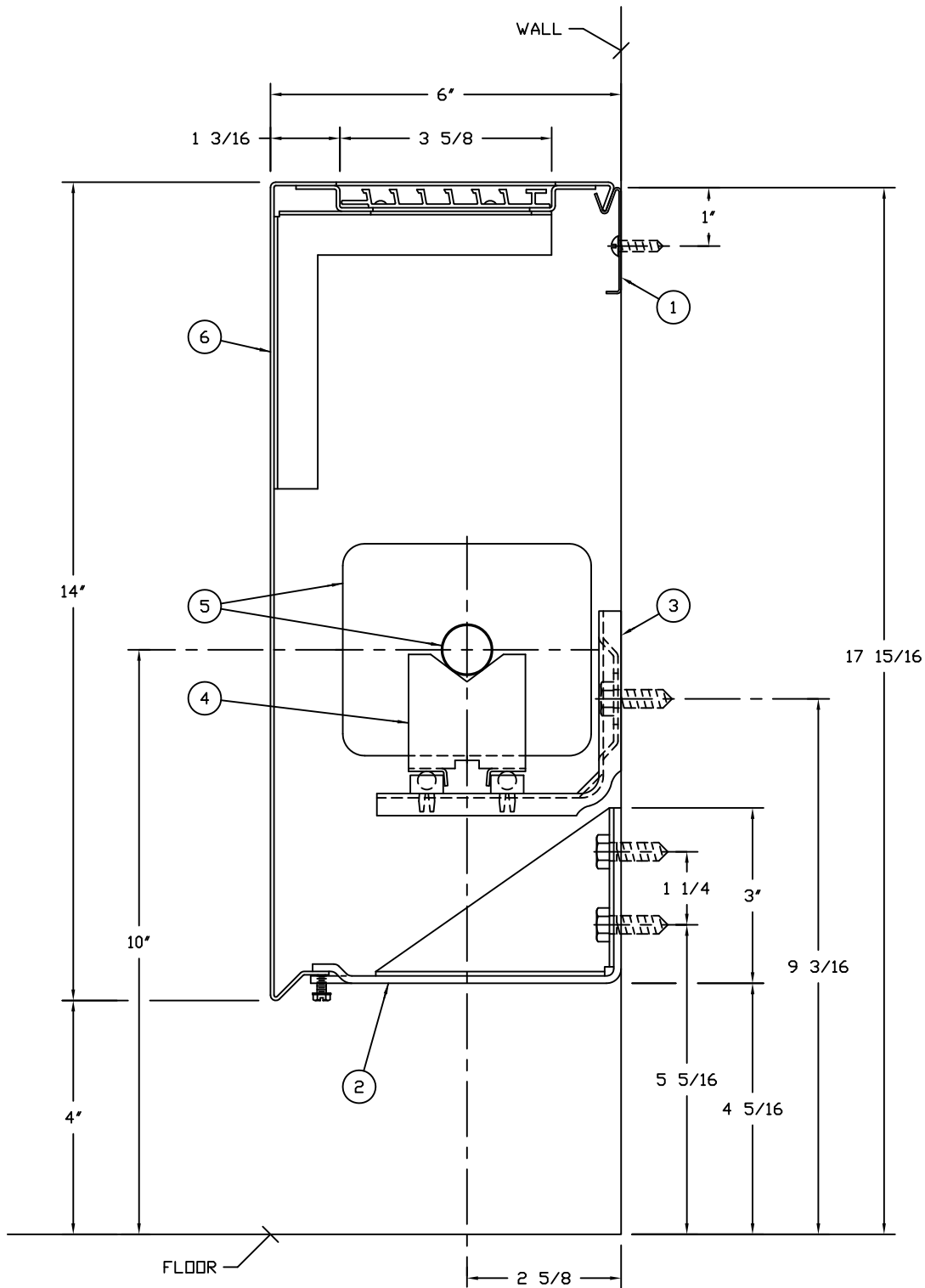
B	N/A	ADDED REQUESTED DETAILS	5/5/16	RJP	
A	N/A	ADDED ITEMS 8, 9 & 10 & NOTE 4	4/26/16	RJP	SFL
LET	ECN NO	REVISION	DATE	BY	APVD

THIS PRINT AND ALL INFORMATION APPEARING THEREON IS THE PROPERTY OF MESTEK INC. NEITHER THE PRINT NOR THE INFORMATION THEREON MAY BE REPRODUCED OR USED IN ANY MANNER WHATSOEVER OR DIVULGED TO ANY OTHER PERSON UNLESS SPECIFICALLY AUTHORIZED BY MESTEK INC.

ACCESSORIES: (OVERLAPPING)

6" WALL SLEEVE 86296 (A)

85482
A



NOTES:

1. ENCLOSURE IS SLIP JOINTED.
2. UNLESS OTHERWISE SPECIFIED FASTENERS ARE BY OTHERS.
3. FOR PLAN VIEW OF ENCLOSURE SEE DRAWING 85483.

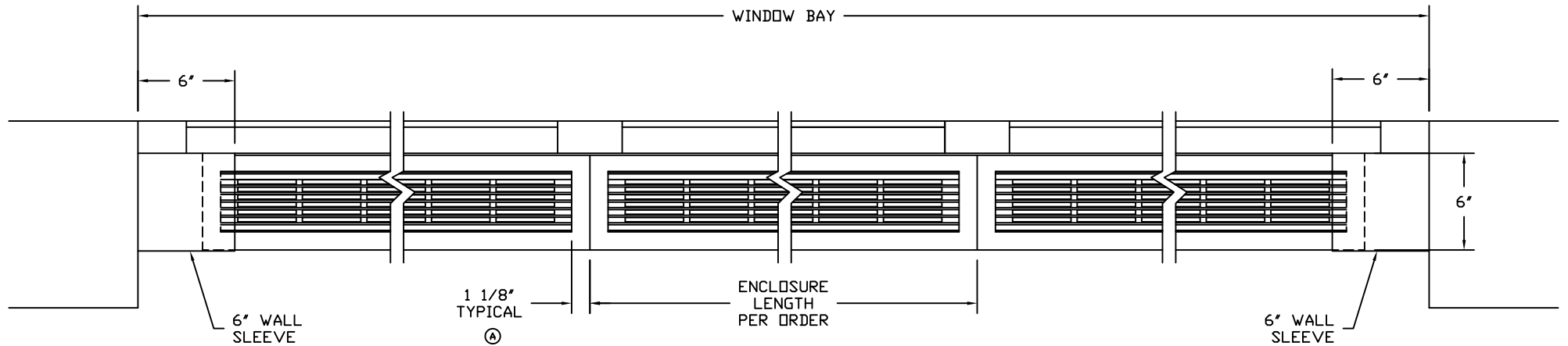
ITEM	DESCRIPTION	DWG NUMBER	MATERIAL
(6)	ENCLOSURE ASS'Y	(A) 86291	16 GA CRS
5	ELEMENT - SEE BELOW	21859	CU/ALUM
4	CRADLE #2	8740	18 GA GALV
3	WALL HANGER ASS'Y	30760	AS SPEC
(2)	BRACKET ASS'Y	83477	1/8 CRS
1	PARTIAL BACKPLATE	6692	20 GA CRS

Vulcan Hydronic Products
 280 North Elm Street Westfield, MA 01085
 Division of Mestek, Inc.

DATE: 1/12/15 JOB NAME: Horizon Media
 DRN BY: MDG
 CKD BY: SFL ELEMENT: VC3/4-434 3/4 COPPER TUBE
 SCALE: 1=1.5 3 5/8 x 4 1/4 ALUMINUM FIN .020 40/FT

THIS PRINT AND ALL INFORMATION APPEARING THEREON IS THE PROPERTY OF MESTEK INC. NEITHER THE PRINT NOR THE INFORMATION THEREON MAY BE REPRODUCED OR USED IN ANY MANNER WHATSOEVER OR DIVULGED TO ANY OTHER PERSON UNLESS SPECIFICALLY AUTHORIZED BY MESTEK INC.


A	N/A	ADDED DETAILS	4/22/15	MDG		TITLE	DWG NO	REV
LET	ECN NO	REVISION	DATE	BY	APVD	INSTALLATION JV-AR-14, 6D	85482	A



NOTES:

1. FOR ENCLOSURE SECTION VIEW SEE DRAWING 85482.
2. ENCLOSURE LENGTH: 12" MINIMUM AND 96" MAXIMUM.
2. 6" WALL SLEEVE ACCESSORIES ARE OVERLAPPING.

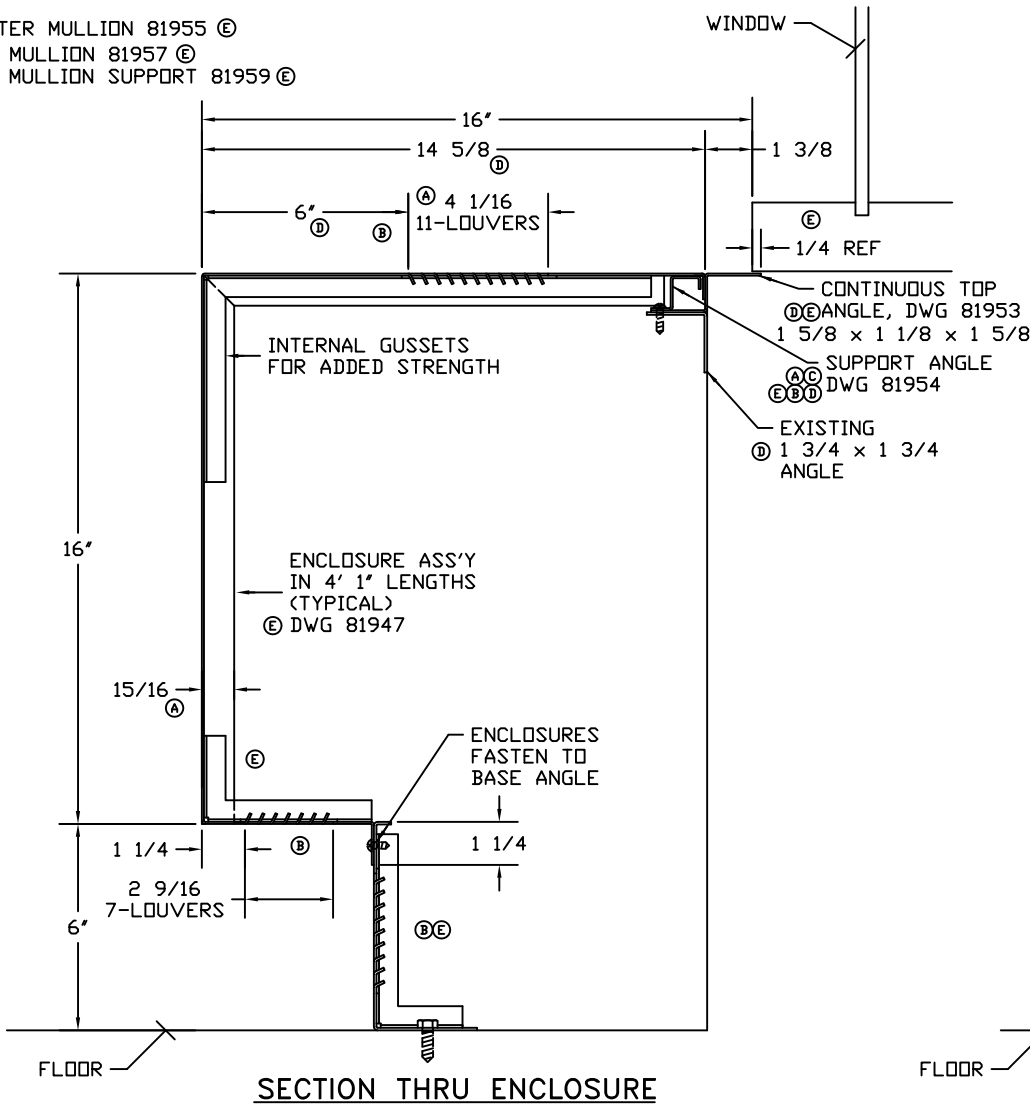
THIS PRINT AND ALL INFORMATION APPEARING THEREON IS THE PROPERTY OF MESTEK INC. NEITHER THE PRINT NOR THE INFORMATION THEREON MAY BE REPRODUCED OR USED IN ANY MANNER WHATSOEVER OR DIVULGED TO ANY OTHER PERSON UNLESS SPECIFICALLY AUTHORIZED BY MESTEK INC.

Vulcan Hydronic Products 260 North Elm Street Westfield, MA 01085 Division of  Mestek, Inc.		C
DATE: 1/12/15	JOB NAME: HORIZON MEDIA	
DRN BY: MDG		
CKD BY: SFL	ELEMENT: VC3/4-434	3/4 COPPER TUBE
SCALE: 1=5	3 5/8 x 4 1/4 ALUMINUM FIN .020 40/FT	
TITLE: PLAN VIEW		DWG NO: 85483
JV-AR-14, 6D		REV: A

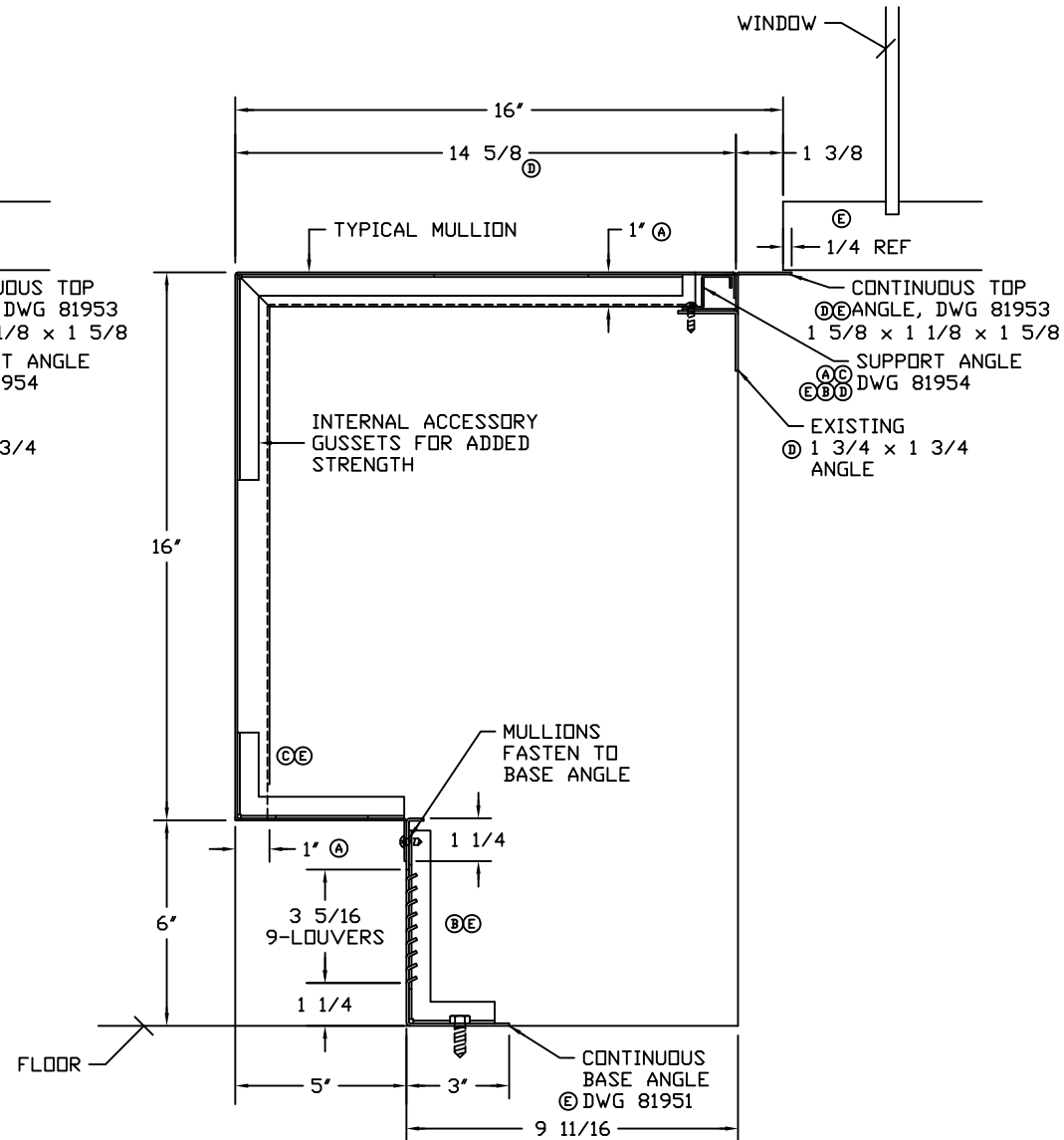
A	N/A	1 1/8" WAS 3"	1/23/15	MDG	
LET	ECN NO	REVISION	DATE	BY	APVD

ACCESSORIES: (16 GAUGE FLUSH FIT)

- CENTER MULLION 81955 ©
- END MULLION 81957 ©
- END MULLION SUPPORT 81959 ©



SECTION THRU ENCLOSURE



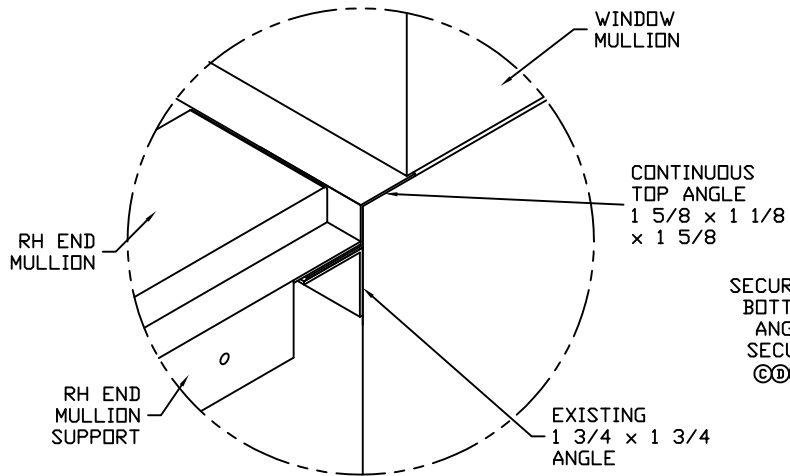
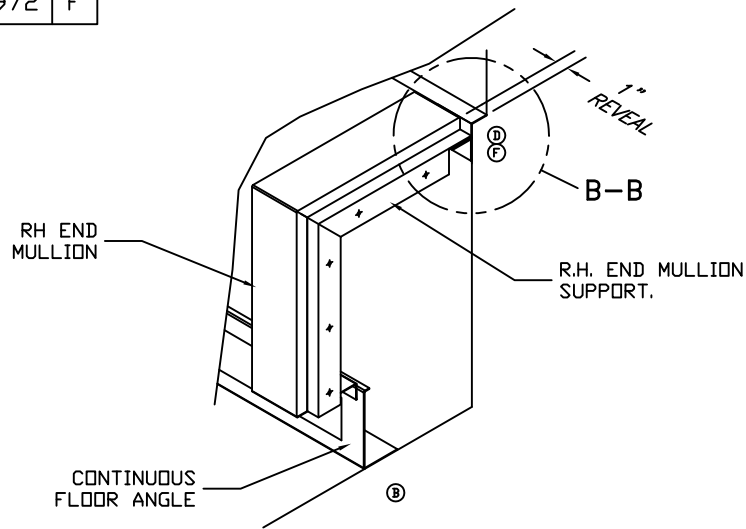
SECTION THRU CENTER MULLION

NOTES:

1. ENCLOSURE IS NOT SLIP JOINTED.
- Ⓐ 2. UNLESS OTHERWISE SPECIFIED FASTENERS ARE TAMPER RESISTANT #10 S/S SPANNERHEAD BY KAGAN & CLINTON.
3. ENCLOSURE AND MULLION SHOWN SEPARATELY ABOVE FOR CLARITY.
4. ENCLOSURES ARE 16 GAUGE BASE ANGLES ARE 14 GAUGE
5. SEE 80972 FOR ISD VIEWS.

THIS PRINT AND ALL INFORMATION APPEARING THEREIN IS THE PROPERTY OF MESTEK INC. NEITHER THE PRINT NOR THE INFORMATION THEREIN MAY BE REPRODUCED OR USED IN ANY MANNER WHATSOEVER OR DIVULGED TO ANY OTHER PERSON UNLESS SPECIFICALLY AUTHORIZED BY MESTEK INC.

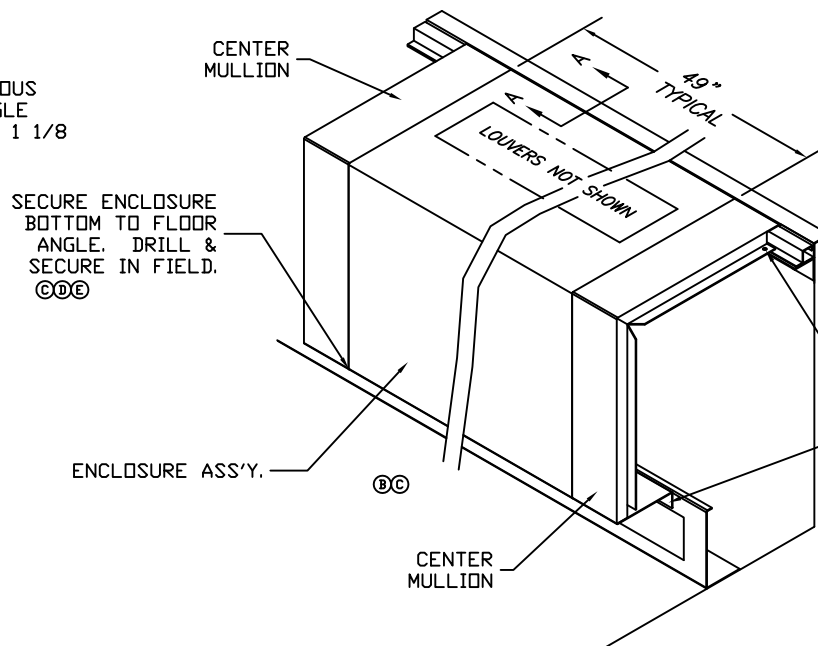
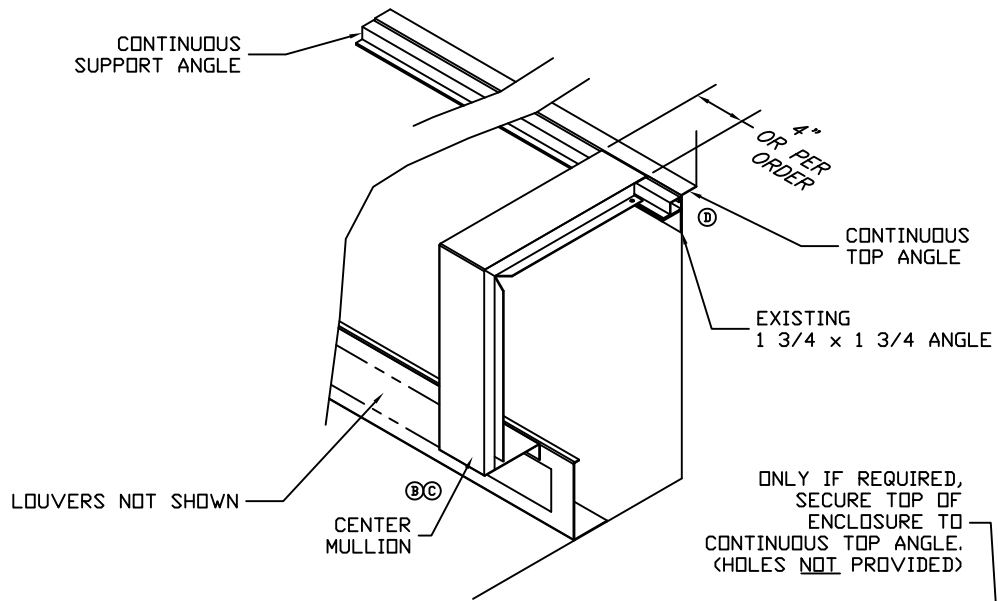
E	N/A	1 5/8 WAS 1 3/8, ADDED DETAILS	9/16/13	MDG		Vulcan Hydronic Products 260 North Elm Street Division of Westfield, MA 01085 Mestek, Inc.	Lincoln Hospital
D	N/A	ADDED TOP ANGLE, REDESIGNED TOP	8/22/13	MDG	SFL		
C	N/A	1" x 1" ANGLE WAS ZEE ANGLE, ENCLOSURE TOP WAS SECURED TO ZEE ANGLE, SHORTENED MULLION SIDE FLANGES	7/24/13	SFL	RJP		
B	N/A	ENCL WAS 3-PIECE CONSTRUCTION, ADDED BOTTOM & BASE ANGLE LOUVERS, ZEE ANGLE WAS 1" x 1" ANGLE	7/17/13	MDG	SFL		
A	N/A	ADDED 1" x 1" ANGLE, 1" WAS 7/16, 5 3/8 WAS 7 3/16, 11 LOUVERS WAS 14 LOUVERS, 15/16 WAS 3/8	5/14/13	SFL	RJP		
LET.	ECN NO.	REVISION	DATE	BY	APVD.	TITLE	REV.
						INSTALLATION LV-T22, 16D TF	80964 E



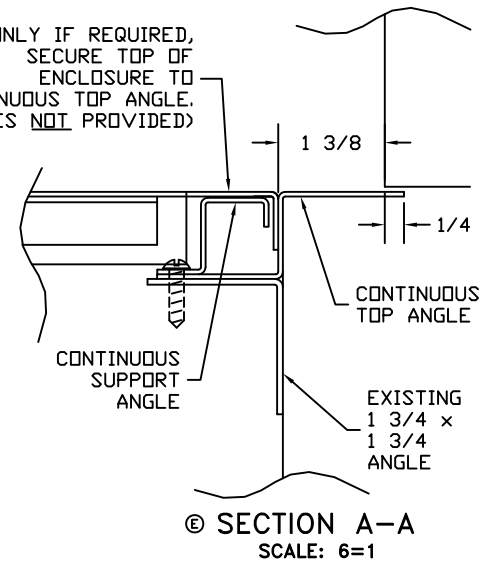
VIEW B-B
SCALE: 3=1

NOTES:

1. ENCLOSURE IS NOT SLIP JOINTED.
2. UNLESS OTHERWISE SPECIFIED FASTENERS ARE TAMPER RESISTANT #10 S/S SPANNERHEAD BY KAGAN & CLINTON.
3. SEE DRAWING 80964 FOR SECTION VIEWS.



ONLY IF REQUIRED, SECURE TOP OF ENCLOSURE TO CONTINUOUS TOP ANGLE. (HOLES NOT PROVIDED)



SECTION A-A
SCALE: 6=1

SECURE MULLIONS AT ZEE ANGLE AND AT FLOOR ANGLE.

THIS PRINT AND ALL INFORMATION APPEARING THEREIN IS THE PROPERTY OF MESTEK INC. NEITHER THE PRINT NOR THE INFORMATION THEREIN MAY BE REPRODUCED OR USED IN ANY MANNER WHATSOEVER OR DIVULGED TO ANY OTHER PERSON UNLESS SPECIFICALLY AUTHORIZED BY MESTEK INC.

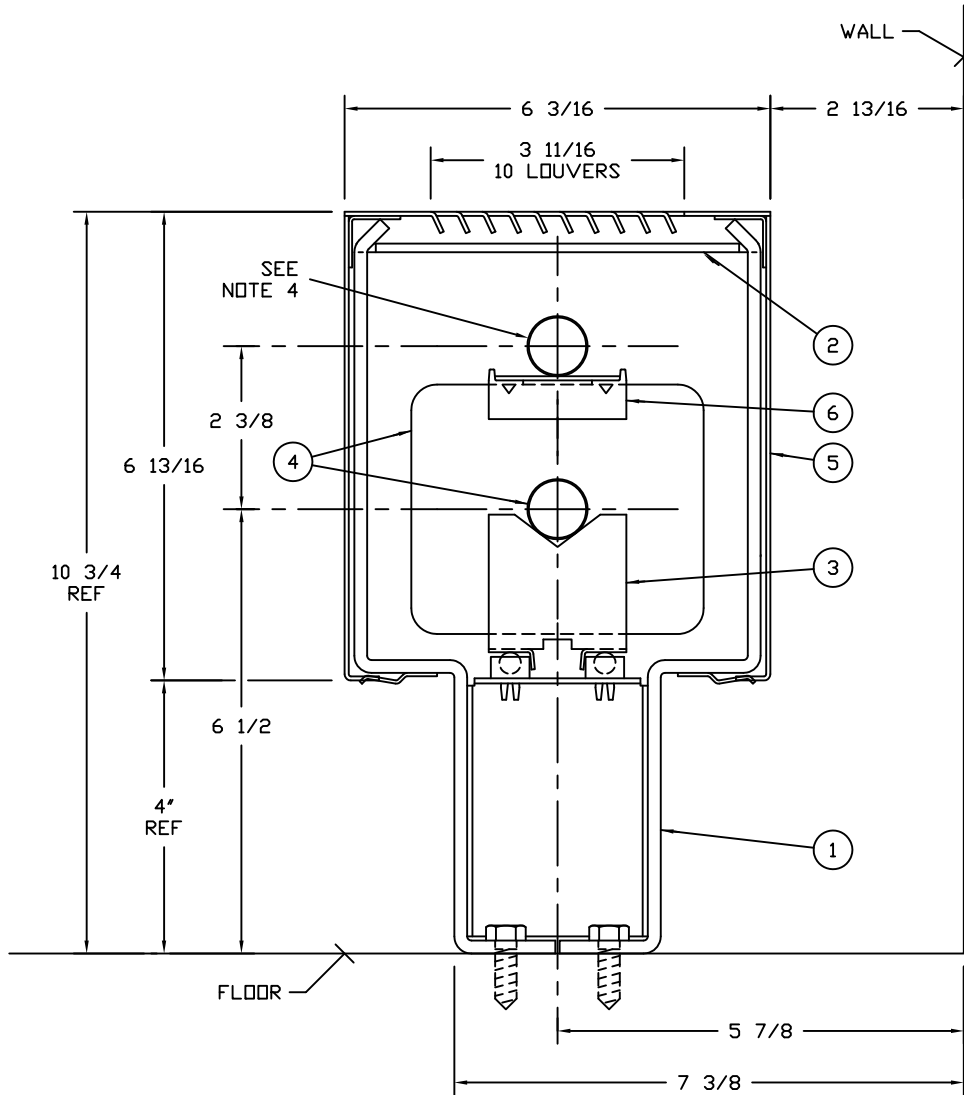
F	N/A	REV'D PER 80964 REV. E, ADDED VIEW B-B	9/16/13	MDG		Vulcan Hydronic Products		C
E	N/A	ADDED SECTION VIEW	8/28/13	SFL	MDG	260 North Elm Street Division of Westfield, MA 01085 Mestek, Inc.		
D	N/A	REVISED PER SECTION VIEW CHANGES	8/23/13	MDG	SFL	DATE 5/10/13	JOB NAME	Lincoln Hospital
C	N/A	REVISED PER SECTION VIEW CHANGES	7/24/13	SFL	RJP	DRN BY SFL	ELEMENT	
B	N/A	REVISED PER SECTION VIEW CHANGES	7/17/13	MDG	SFL	CHK BY RJP		
A	N/A	REVISED ANGLE SUPPORT, REVISED NOTE 2	5/14/13	SFL	RJP	SCALE 1=8		
LET.	ECN NO.	REVISION	DATE	BY	APVD.	TITLE	DWG. NO.	REV.
						INSTALLATION ISD VIEWS LV-T22, 16D TF	80972	F

ACCESSORIES: (OVERLAPPING)

3' END CAP - 83141

-
-

88258
A



NOTES:

1. ENCLOSURE IS SLIP JOINTED.
2. UNLESS OTHERWISE SPECIFIED FASTENERS ARE BY OTHERS.
3. FOR CURVED ENCLOSURE PLAN VIEW SEE DRAWING 88259.
4. 3/4 COPPER RETURN PIPING SHOWN IS BY OTHERS.
5. FOR 8' CURVED ELEMENT SEE DWG 88779. FOR 5' CURVED ELEMENT SEE DWG 88780. FOR STRAIGHT ELEMENT SEE DWG 21859.
6. FOR 5' CURVED ENCLOSURE SEE DWG 88781. FOR 3' CURVED ENCLOSURE SEE DWG 88787. FOR STRAIGHT ENCLOSURE SEE DWG 88793.

ITEM	DESCRIPTION	DWG NUMBER	MATERIAL
6	SENIOR SLIDE SHOE	11703	PLASTIC
5	ENCLOSURE ASS'Y	SEE NOTE 6	16 GA CRS
4	ELEMENT - SEE BELOW	SEE NOTE 5	CU/ALU
3	CRADLE #2	8740	18 GA GAL
2	ELEMENT SUPPORT	41856	1/8 CRS
1	BRACKET ASS'Y	64581	AS SPEC

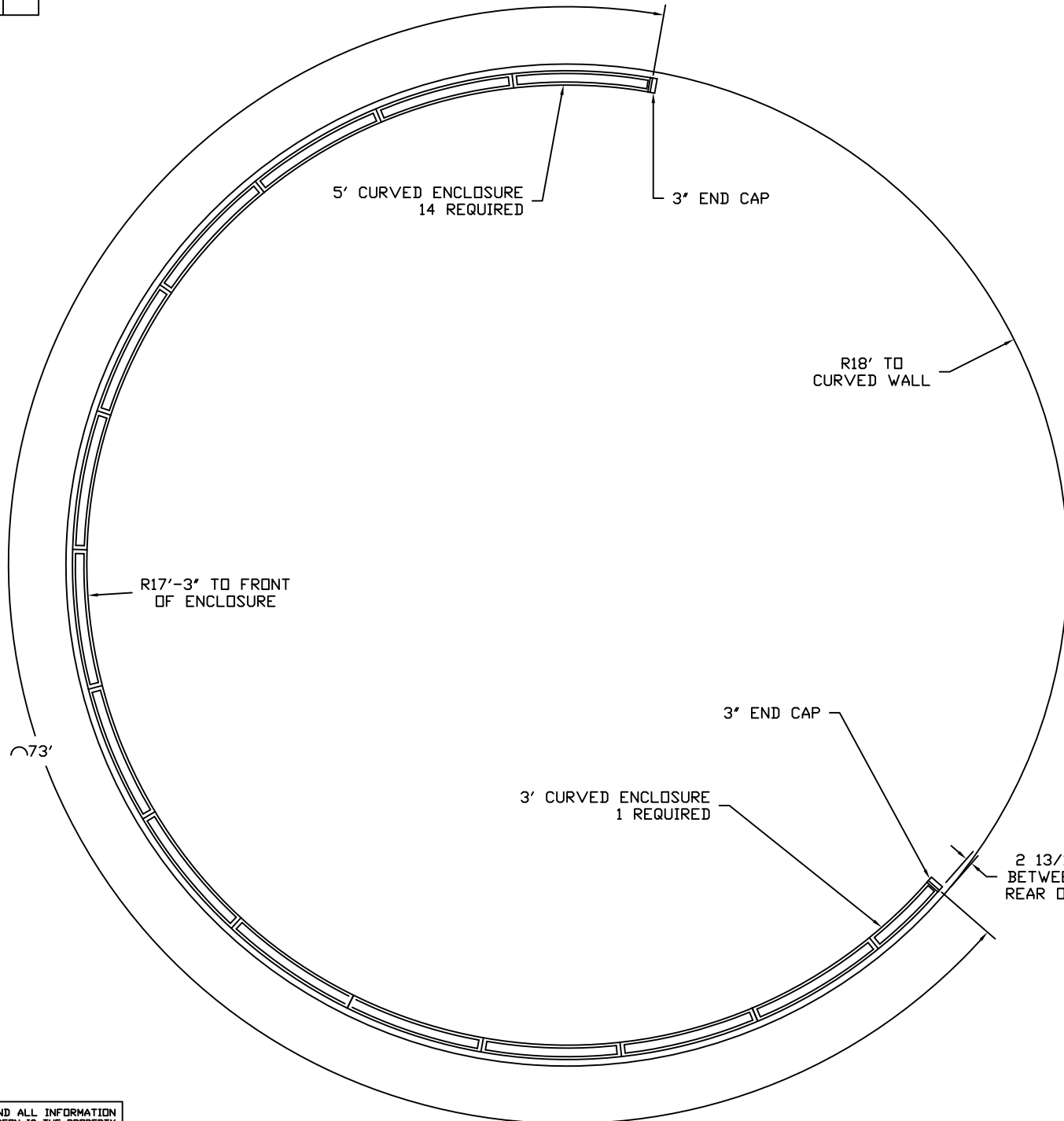
Vulcan Hydronic Products
 260 North Elm Street Westfield, MA 01085
 Division of Mestek, Inc.

DATE: 11/6/15	JOB NAME:	WESTERVILLE SCHOOLS
DRN BY: MDG		
CKD BY: SFL	ELEMENT: VC3/4-434 3/4 COPPER TUBE	
SCALE: 1=1.5	3 5/8 x 4 1/4 ALUMINUM FIN .020 40/FT	

THIS PRINT AND ALL INFORMATION APPEARING THEREON IS THE PROPERTY OF MESTEK INC. NEITHER THE PRINT NOR THE INFORMATION THEREON MAY BE REPRODUCED OR USED IN ANY MANNER WHATSOEVER OR DIVULGED TO ANY OTHER PERSON UNLESS SPECIFICALLY AUTHORIZED BY MESTEK INC.

A	N/A	ADDED DETAILS & NOTES 5 & 6	1/27/16	MDG
LET	ECN NO	REVISION	DATE	BY

TITLE: INSTALLATION	DWG NO: 88258	REV: A
LV4-PM CURVED		



NOTES:

1. FOR CURVED ENCLOSURE SECTION VIEW SEE DRAWING 88258.
2. ENCLOSURE LENGTHS ARE MEASURED AT CENTER LINE OF ENCLOSURE.

THIS PRINT AND ALL INFORMATION APPEARING THEREIN IS THE PROPERTY OF MESTEK INC. NEITHER THE PRINT NOR THE INFORMATION THEREIN MAY BE REPRODUCED OR USED IN ANY MANNER WHATSOEVER OR DIVULGED TO ANY OTHER PERSON UNLESS SPECIFICALLY AUTHORIZED BY MESTEK INC.

Vulcan Hydronic Products 260 North Elm Street Westfield, MA 01085 Division of Mestek, Inc.				C
DATE:	11/6/15	JOB NAME:	WESTERVILLE SCHOOLS	
DRN BY:	MDG	ELEMENT:	-	-
CKD BY:	-	SCALE:	1=35	-
TITLE:	PLAN VIEW LV4-PM CURVED		DWG NO:	88259
LET	ECN NO	REVISION	DATE	BY
-	-	-	-	-
APVD				REV
				-

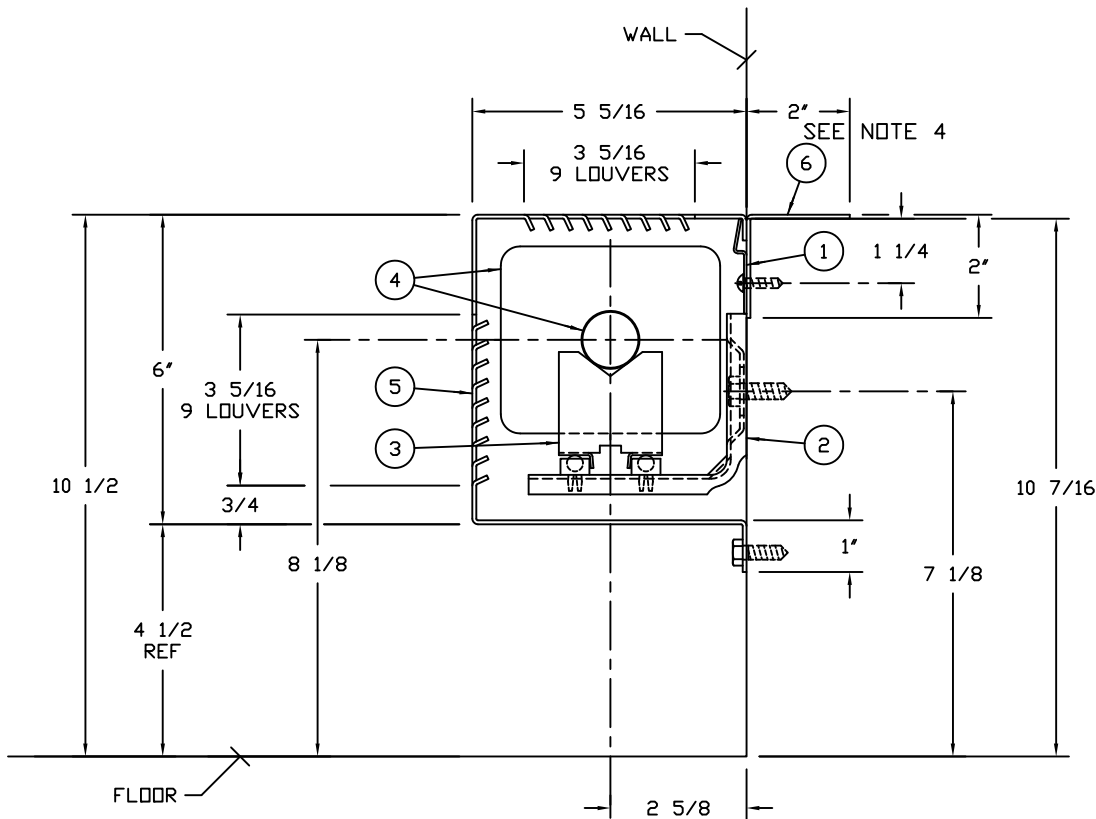
LET	ECN NO	REVISION	DATE	BY	APVD
-	-	-	-	-	-

ACCESSORIES: (OVERLAPPING)

4' WALL SLEEVE - 89093 (B)

-
-

86019
C



DETAIL 5/5.18
TYPE 5

NOTES:

1. ENCLOSURE IS SLIP JOINTED.
2. UNLESS OTHERWISE SPECIFIED FASTENERS ARE BY OTHERS.
3. ACCESSORIES DO NOT OVERLAP
ⓐ SILL EXTENSION.
4. ALTERNATE 1/2 x 5" SILL
ⓐ EXTENSION, DRAWING 89295.
ALTERNATE 1/2 x 5 1/2" SILL
EXTENSION, DRAWING 89296.

ITEM	DESCRIPTION	DWG NUMBER	MATERIAL
ⓐ	2" SILL EXTENSION	-	14 GA CRS
ⓑ	ENCLOSURE ASS'Y	(B) 89091	14 GA CRS
4	ELEMENT - SEE BELOW	21861	CU/ALU
3	CRADLE #2	8740	18 GA GAL
2	WALL HANGER ASS'Y	30760	AS SPEC
1	V-610 HANGER STRIP	12930	18 GA GAL

Vulcan Hydronic Products 260 North Elm Street Westfield, Ma 01085 Division of Mestek, Inc.				C
DATE: 3/18/15	JOB NAME: Johnson & Wales Academic Building			
DRN BY: MDG	ELEMENT: VC434	1" COPPER TUBE		
CKD BY: SFL	SCALE: 1=2	3 5/8 x 4 1/4 ALUMINUM FIN .020 40/FT		
LET	ECN NO	TITLE: INSTALLATION (A)	DWG NO: 86019	REV: C

THIS PRINT AND ALL INFORMATION APPEARING THEREON IS THE PROPERTY OF MESTEK INC. NEITHER THE PRINT NOR THE INFORMATION THEREON MAY BE REPRODUCED OR USED IN ANY MANNER WHATSOEVER OR DIVULGED TO ANY OTHER PERSON UNLESS SPECIFICALLY AUTHORIZED BY MESTEK INC.

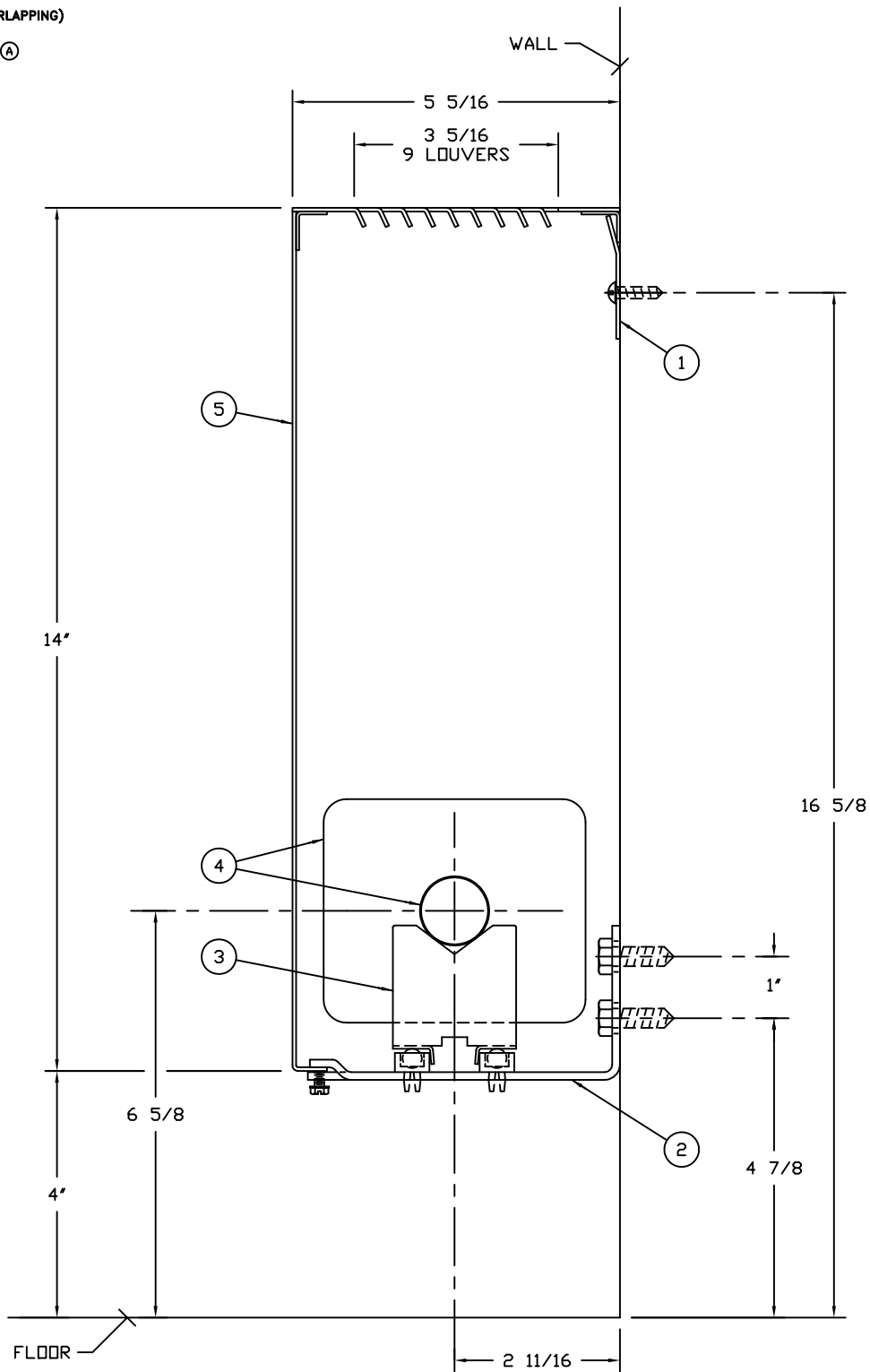
LET	ECN NO	REVISION	DATE	BY	APVD
C	N/A	ADDED NOTE 4, ACCY DID OVERLAP SILL	3/24/16	MDG	
B	N/A	ADDED DETAILS	3/9/16	MDG	SFL
A	N/A	6 RWFLI WAS 10 1/2 TFLI	3/1/16	RJP	SFL

ACCESSORIES: (OVERLAPPING)

3" END CAP - 87304 (A)

-
-

86121
A



NOTES:

1. ENCLOSURE IS SLIP JOINTED.
2. UNLESS OTHERWISE SPECIFIED FASTENERS ARE BY OTHERS.
3. FOR PLAN VIEW AT CURVED WALLS SEE DRAWING 86122.
4. STRAIGHT ENCLOSURE -
CURVED ENCLOSURE - 87299 (A)
5. STRAIGHT ELEMENT - 21864
(A) CURVED ELEMENT - 87306

ITEM	DESCRIPTION	DWG NUMBER	MATERIAL
(5)	ENCLOSURE ASS'Y	SEE NOTE 4	16 GA CRS
4	ELEMENT - SEE BELOW (A)	SEE NOTE 5	CU/ALU
3	CRADLE #2	8740	18 GA GAL
(2)	BRACKET ASS'Y	65382	1/8 CRS
1	HANGER STRIP	48613	16 GA CRS

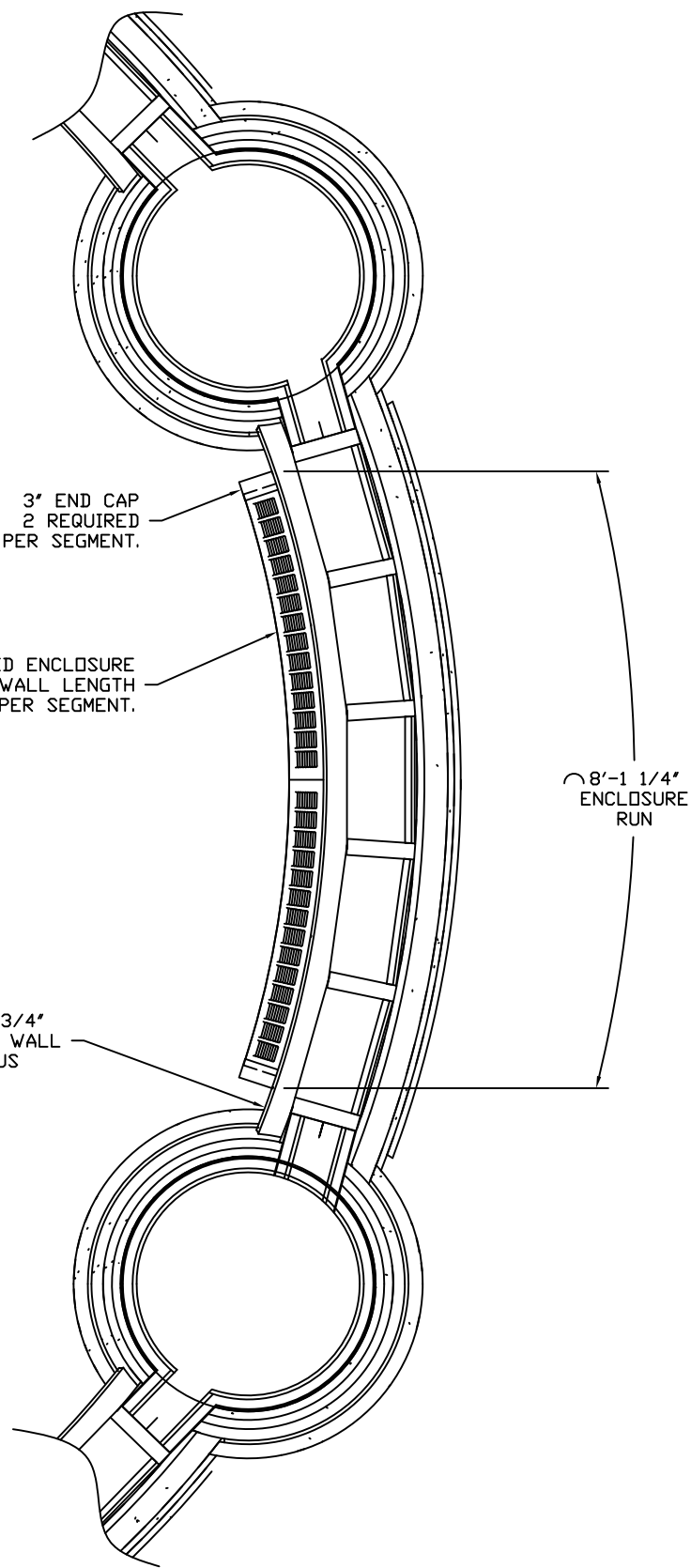
Vulcan Hydronic Products
260 North Elm Street Westfield, MA 01085
Division of Mestek, Inc.

DATE: 3/27/15 JOB NAME: SMU HAROLD SIMMONS HALL
 DRN BY: MDG
 CKD BY: - ELEMENT: VC433 1" COPPER TUBE
 SCALE: 1=1.5 3 5/8 x 4 1/4 ALUMINUM FIN .020 32/FT

THIS PRINT AND ALL INFORMATION APPEARING THEREON IS THE PROPERTY OF MESTEK INC. NEITHER THE PRINT NOR THE INFORMATION THEREON MAY BE REPRODUCED OR USED IN ANY MANNER WHATSOEVER OR DIVULGED TO ANY OTHER PERSON UNLESS SPECIFICALLY AUTHORIZED BY MESTEK INC.

A	N/A	ADDED DETAILS & NOTE 5	7/27/15	MDG	
LET	ECN NO	REVISION	DATE	BY	APVD

TITLE: INSTALLATION DWG NO: 86121 REV: A
 LV4-T14 CURVED



NOTES:

1. TYPICAL SEGMENT SHOWN FOR SEATING AREAS 101E & 121. 6 SEGMENTS TOTAL.
2. END CAPS OVERLAP ENCLOSURE BY APPROXIMATELY 1".
3. FOR ENCLOSURE SECTION VIEW SEE DRAWING 86121.

THIS PRINT AND ALL INFORMATION APPEARING THEREON IS THE PROPERTY OF MESTEK INC. NEITHER THE PRINT NOR THE INFORMATION THEREON MAY BE REPRODUCED OR USED IN ANY MANNER WHATSOEVER OR DIVULGED TO ANY OTHER PERSON UNLESS SPECIFICALLY AUTHORIZED BY MESTEK INC.

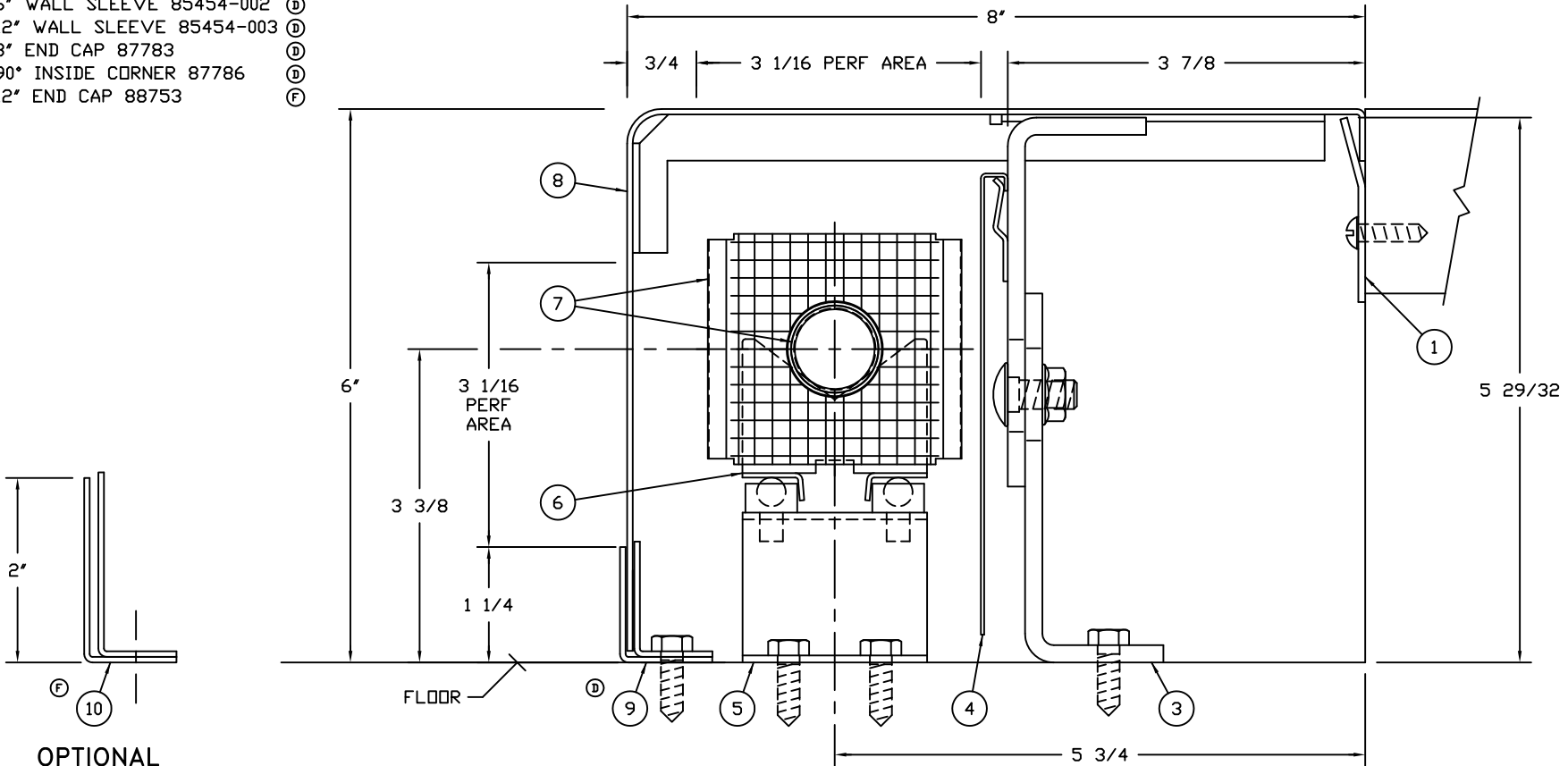
LET	ECN NO	REVISION	DATE	BY	APVD
-	-	-	-	-	-

Vulcan Hydronic Products 260 North Elm Street Westfield, MA 01085 Division of Mestek, Inc.		C
DATE: 4/2/15	JOB NAME: SMU HAROLD SIMMONS HALL	
DRN BY: MDG	ELEMENT: VC433 1" COPPER TUBE	
CKD BY: -	SCALE: 1=15 3 5/8 x 4 1/4 ALUMINUM FIN .020 50/FT	
TITLE: PLAN VIEW LV4-T14 CURVED		DWG NO: 86122
		REV: -

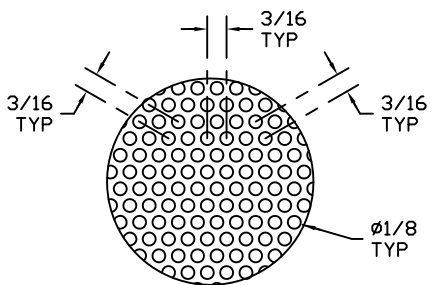
ACCESSORIES: (OVERLAPPING)

- (A)(C) 4" WALL SLEEVE 85454-001 (D)
- 6" WALL SLEEVE 85454-002 (D)
- 12" WALL SLEEVE 85454-003 (D)
- 3" END CAP 87783 (D)
- 90° INSIDE CORNER 87786 (D)
- 12" END CAP 88753 (F)

FTR-A



OPTIONAL FLOOR ANGLE



PERFORATION DETAIL
IPA 113, ø1/8 HOLES ON
3/16 STAGGERED CENTERS

NOTES:

1. ENCLOSURE IS SLIP JOINTED.
2. UNLESS OTHERWISE SPECIFIED FASTENERS ARE BY OTHERS.
- (A) 3. ADJUST ITEM 3 AS NECESSARY TO SUPPORT ENCLOSURE.
- (D)(C) 4. -

ITEM	DESCRIPTION	DWG NUMBER	MATERIAL
(F) (10)	FLOOR ANGLE ASS'Y, 2"	88750	16 GA CRS
(C) (9)	FLOOR ANGLE ASS'Y, 1 1/4"	85458	16 GA CRS
(8)	ENCLOSURE ASS'Y (D)(C)	87781	16 GA CRS
7	ELEMENT - SEE BELOW	49259	CU/ALU
6	CRADLE #1	8739	18 GA GAL
(5)	ZEE BRACKET ASS'Y	71446-004	14 GA CRS
(4)	BAFFLE	66519-009	20 GA GAL
(3)	SUPPORT BRACKET ASS'Y (C)	85449	AS SPEC
(2)	-	-	-
(D)(B) (1)	HANGER STRIP (C)	85448 (E)	14 GA GAL

Vulcan Hydronic Products
260 North Elm Street
Division of Westfield, MA 01085
Mestek, Inc.

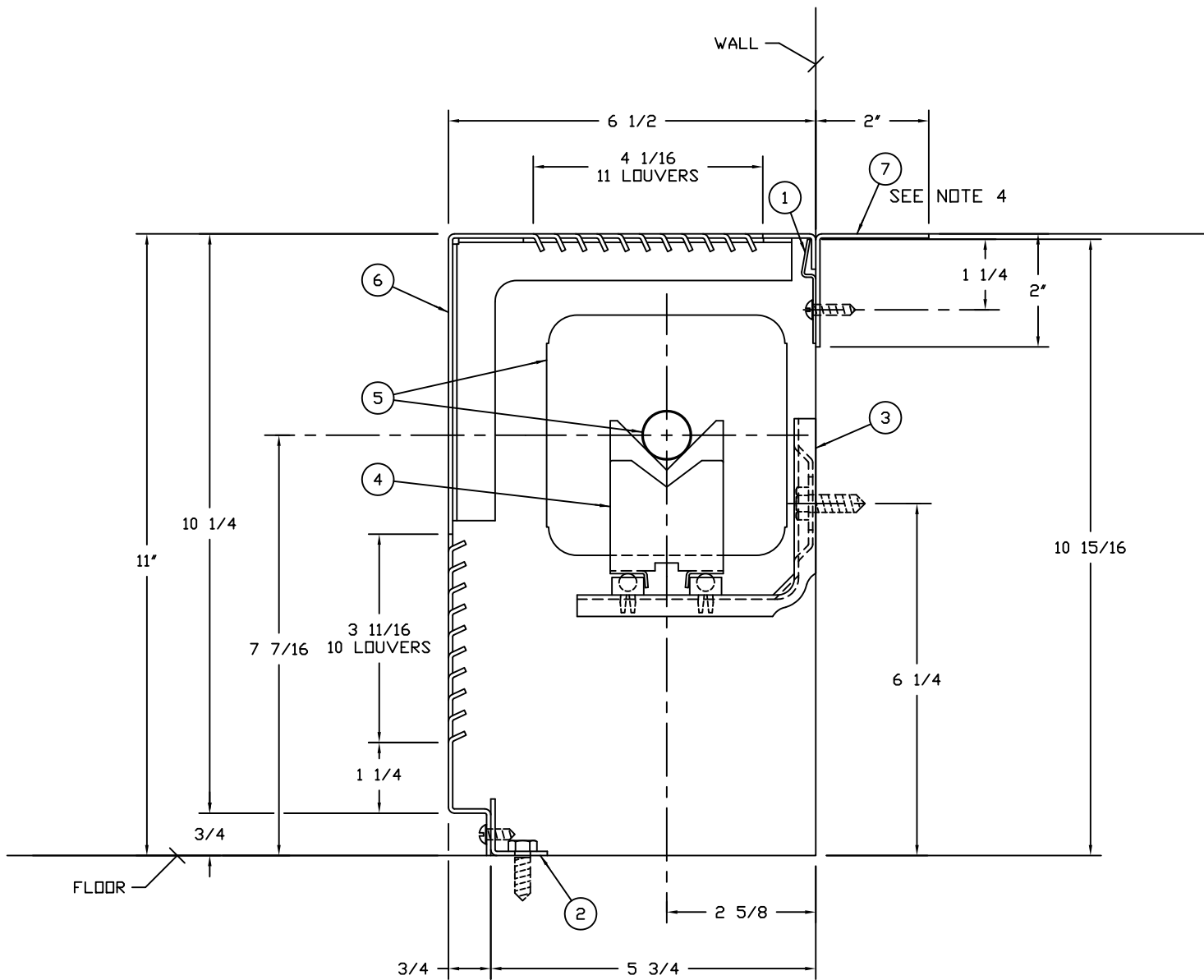
F	N/A	ADDED ITEM 10 & 12" END CAP	1/22/16	MDG		DATE	3/24/14	JOB NAME
E	N/A	ITEM 1 WAS 14 GA CRS	9/9/15	RJP	SFL	DRN BY:	RJP	UPenn NBS
D	N/A	REV'D DETAILS & NOTE 4	9/3/15	MDG	SFL	CHK BY:	SFL	
C	N/A	ADDED DETAILS AND NOTE 4	1/14/15	SFL	RJP	SCALE:	1=1	ELEMENT: VR02 3/4 COPPER TUBE 2 3/4 x 2 1/2 ALUMINUM FIN .010 60/FT
B	N/A	ITEM 2 WAS "F" ANGLE ASS'Y	9/17/14	MDG	SFL	TITLE:	INSTALLATION	DWG NO: 83167
A	N/A	REVISED DESIGN PER REP SKETCH	9/11/14	RJP	SFL	REV		F
LET	ECN NO	REVISION	DATE	BY	APVD			

THIS PRINT AND ALL INFORMATION APPEARING THEREIN IS THE PROPERTY OF MESTEK INC. NEITHER THE PRINT NOR THE INFORMATION THEREIN MAY BE REPRODUCED OR USED IN ANY MANNER WHATSOEVER OR DIVULGED TO ANY OTHER PERSON UNLESS SPECIFICALLY AUTHORIZED BY MESTEK INC.

ACCESSORIES: (OVERLAPPING)

Ⓐ 4" WALL SLEEVE 89102

88352
B



TYPE 6

NOTES:

1. ENCLOSURE IS SLIP JOINTED.
2. UNLESS OTHERWISE SPECIFIED FASTENERS ARE BY OTHERS.
3. ACCESSORIES DO NOT OVERLAP
- Ⓑ SILL EXTENSION.
4. ALTERNATE 1/2 x 5" SILL
- Ⓑ EXTENSION, DRAWING 89295.

ITEM	DESCRIPTION	DWG NUMBER	MATERIAL
7	2" SILL EXTENSION	-	14 GA CRS
6	ENCLOSURE ASS'Y	Ⓐ 89099	14 GA CRS
5	ELEMENT - SEE BELOW	80661	CU/ALU
4	CRADLE #3A	35605	18 GA GAL
3	WALL HANGER ASS'Y	30760	AS SPEC
2	FLOOR ANGLE 1' x 1'	55899	14 GA CRS
1	V-610 HANGER STRIP	12930	18 GA GAL

Vulcan Hydronic Products
260 North Elm Street Westfield, MA 01085
Division of Mestek, Inc.

DATE: 11/19/15 JOB NAME: JOHNSON & WALES UNIVERSITY

DRN BY: MDG
CKD BY: SFL
SCALE: 1=1.5

ELEMENT: VC3/4-45 3/4 COPPER TUBE
4 1/4 x 4 1/4 ALUMINUM FIN .020 50/FT

TITLE: INSTALLATION DWG NO: 88352
LV-T11, 6 1/2D TFLI REV: B

THIS PRINT AND ALL INFORMATION APPEARING THEREON IS THE PROPERTY OF MESTEK INC. NEITHER THE PRINT NOR THE INFORMATION THEREON MAY BE REPRODUCED OR USED IN ANY MANNER WHATSOEVER OR DIVULGED TO ANY OTHER PERSON UNLESS SPECIFICALLY AUTHORIZED BY MESTEK INC.

LET	ECN NO	REVISION	DATE	BY	APVD
B	N/A	ADDED NOTES 3 & 4	3/24/16	MDG	
A	N/A	ADDED DETAILS	3/10/16	MDG	SFL

HANGER STRIP
CUT TO 60 1/2" AND
CENTER ON WALL.

3" END MULLION SUPPORTS
REST ON TOP OF HANGER
STRIP. THE TOP AND BOTTOM
SURFACES SHOULD BE APPROX
1/8" FROM BACK WALL.
USE NOTCHES IN FLANGES AS A
GUIDE AND SECURE TO WALL TYPICAL.

5' 1"

3" END MULLION
INSERT BACK FLANGE
INTO HANGER STRIP. 1/2"
FLANGE SITS ON MULLION
SUPPORT. LEAVE 1/2"
BETWEEN WALL AND MULLION,
SECURE TO WALL AT BOTTOM.

5" CENTER MULLION
INSERT BACK FLANGE
INTO HANGER STRIP,
SECURE TO WALL AT BOTTOM.

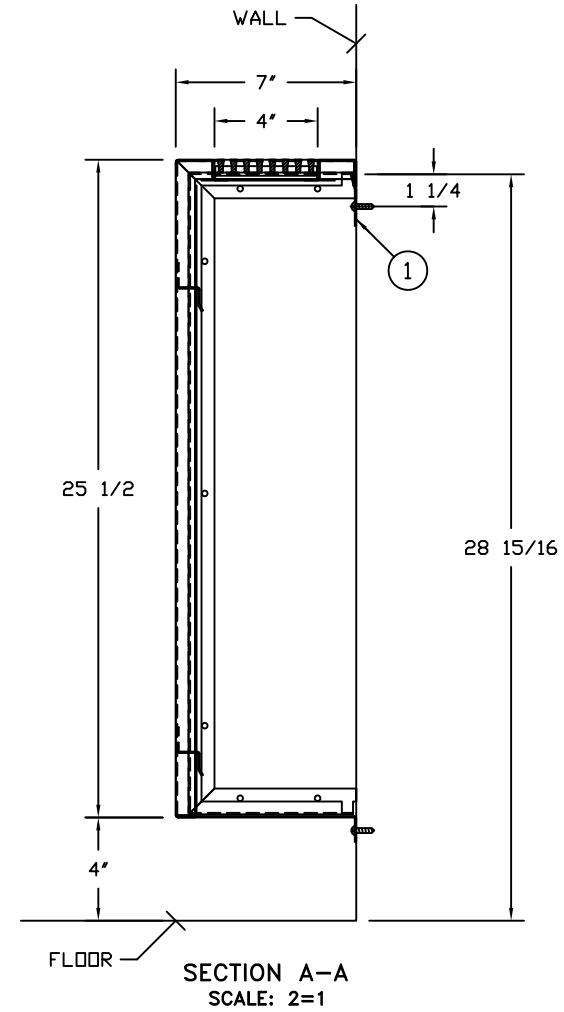
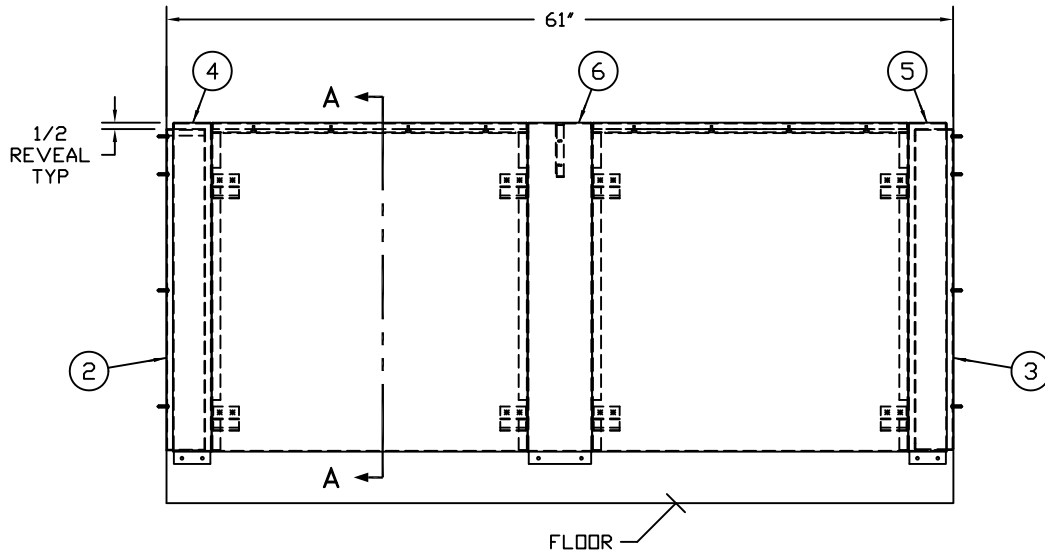
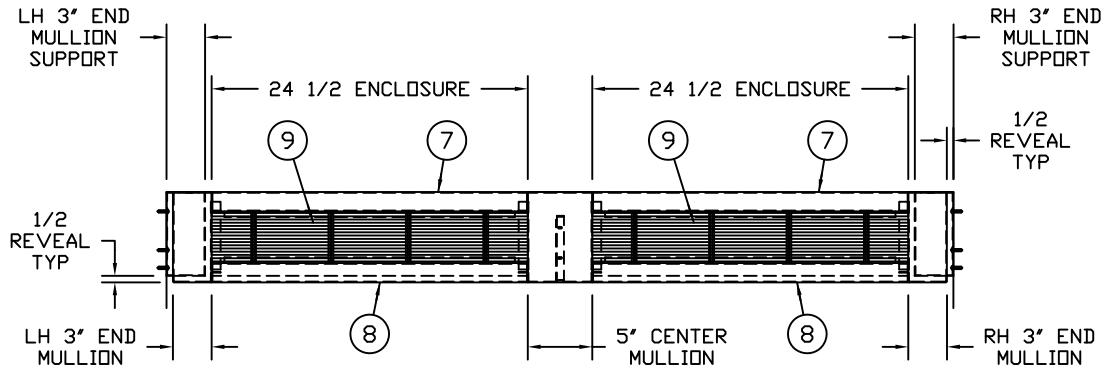
NOTE:

1. SEE DRAWING 86117 FOR
TOP, FRONT & SIDE VIEWS.
SEE DRAWING 86119 FOR
ENCLOSURE INSTALLATION ISO.

THIS PRINT AND ALL INFORMATION
APPEARING THEREON IS THE PROPERTY
OF MESTEK INC. NEITHER THE PRINT
NOR THE INFORMATION THEREON MAY
BE REPRODUCED OR USED IN ANY
MANNER WHATSOEVER OR DIVULGED
TO ANY OTHER PERSON UNLESS
SPECIFICALLY AUTHORIZED BY MESTEK INC.

Vulcan Hydronic Products 260 North Elm Street Westfield, MA 01085 Division of Mestek, Inc.		C
DATE: 4/5/15	JOB NAME: One North End	
DRN BY: RJP	ELEMENT: N/A	
CKD BY: -	SCALE: 1=8	
LET	ECN NO	REVISION
-	-	-
-	-	-
-	-	-
-	-	-
-	-	-
TITLE: MULLION INSTALLATION CUSTOM ENCLOSURE		DWG NO: 86118 REV: -

-	-	-	-	-	-
LET	ECN NO	REVISION	DATE	BY	APVD



NOTES:

1. UNLESS OTHERWISE SPECIFIED FASTENERS ARE BY OTHERS.
2. ITEM 1 HANGER STRIP NOT SHOWN IN FRONT AND TOP VIEWS FOR CLARITY.
3. SEE DRAWING 86118 FOR MULLION INSTALLATION.
4. SEE DRAWING 86119 FOR ENCLOSURE INSTALLATION.
- Ⓐ 5. ITEM 6 5" CENTER MULLION ASS'Y HAS INTERNAL GUSSET FOR ADDITIONAL SUPPORT.

ITEM	DESCRIPTION	DWG NUMBER	MATERIAL
9	BG2 BAR GRILLE ASS'Y	84457-001	ALUMINUM
8	FRONT ENCLOSURE ASS'Y	Ⓐ 84455-001	16 GA CRS
7	REAR ENCLOSURE	Ⓐ 84453-001	16 GA CRS
6	5" CENTER MULLION ASS'Y	Ⓐ 84451-003	16 GA CRS
5	3" RH END MULLION	Ⓐ 84449-006	16 GA CRS
4	3" LH END MULLION	Ⓐ 84449-006	16 GA CRS
3	3" RH END MULLION SUPPORT	Ⓐ 84447	16 GA CRS
2	3" LH END MULLION SUPPORT	Ⓐ 84447	16 GA CRS
1	HANGER STRIP	48613	16 GA CRS

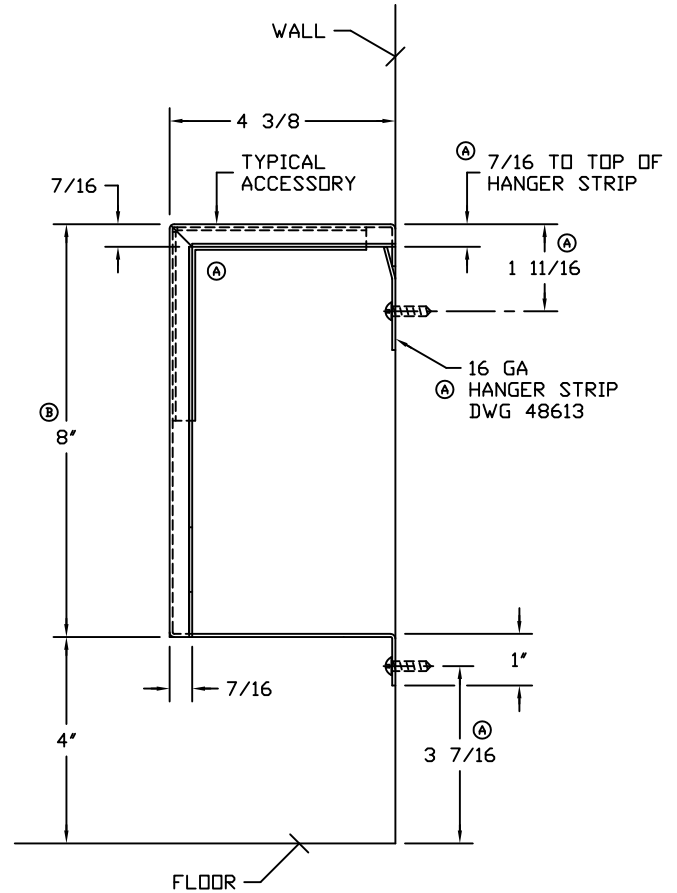
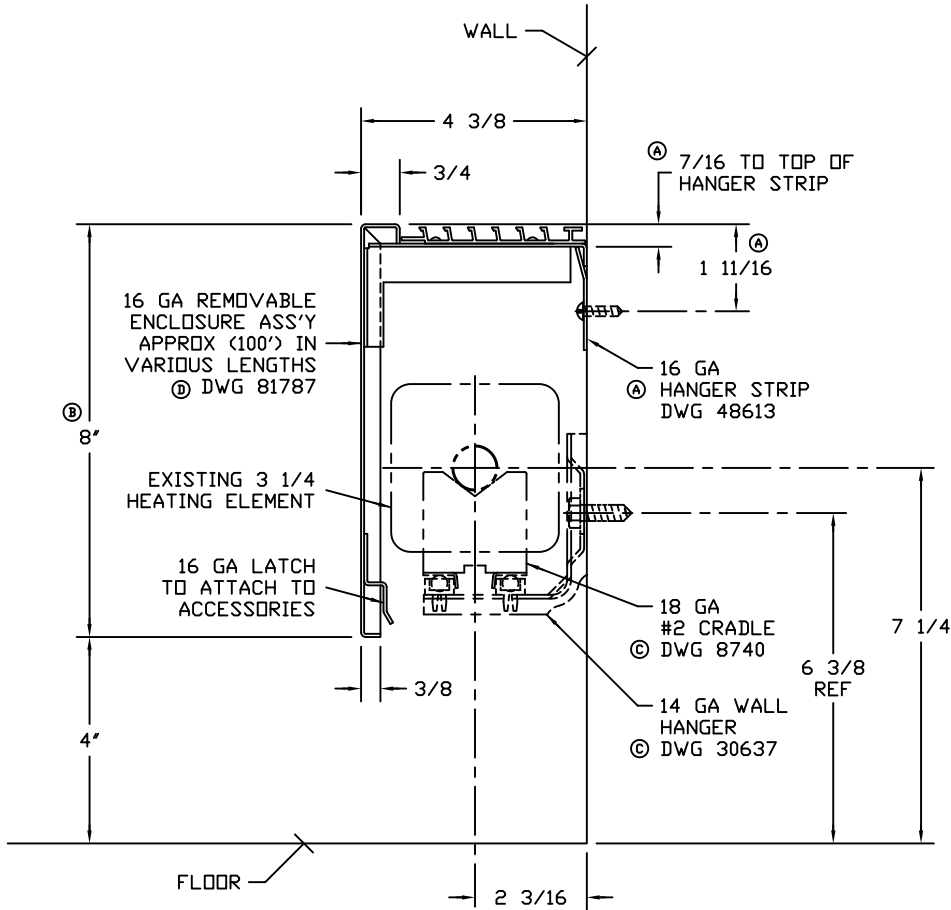
Vulcan Hydronic Products 260 North Elm Street Westfield, MA 01085 Division of Mestek, Inc.		C
DATE: 4/5/15	JOB NAME:	One North End
DRN BY: RJP	ELEMENT:	
CKD BY: SFL		
SCALE: 1=8	N/A	

THIS PRINT AND ALL INFORMATION APPEARING THEREON IS THE PROPERTY OF MESTEK INC. NEITHER THE PRINT NOR THE INFORMATION THEREON MAY BE REPRODUCED OR USED IN ANY MANNER WHATSOEVER OR DIVULGED TO ANY OTHER PERSON UNLESS SPECIFICALLY AUTHORIZED BY MESTEK INC.

A	N/A	ADDED REQUESTED DETAILS & NOTE 5	4/15/15	RJP		TITLE: INSTALLATION	DWG NO: 86117	REV: A
LET	ECN NO	REVISION	DATE	BY	APVD	CUSTOM ENCLOSURE		

ACCESSORIES: (16 GAUGE FLUSH FIT)

- © 2 1/2 CENTER MULLION 81791 ①
- © 2 1/2 WALL END MULLION 81794 ①
- © 2 1/2 CLOSED END MULLION 81796 ①
- © 2' CENTER MULLION 82823

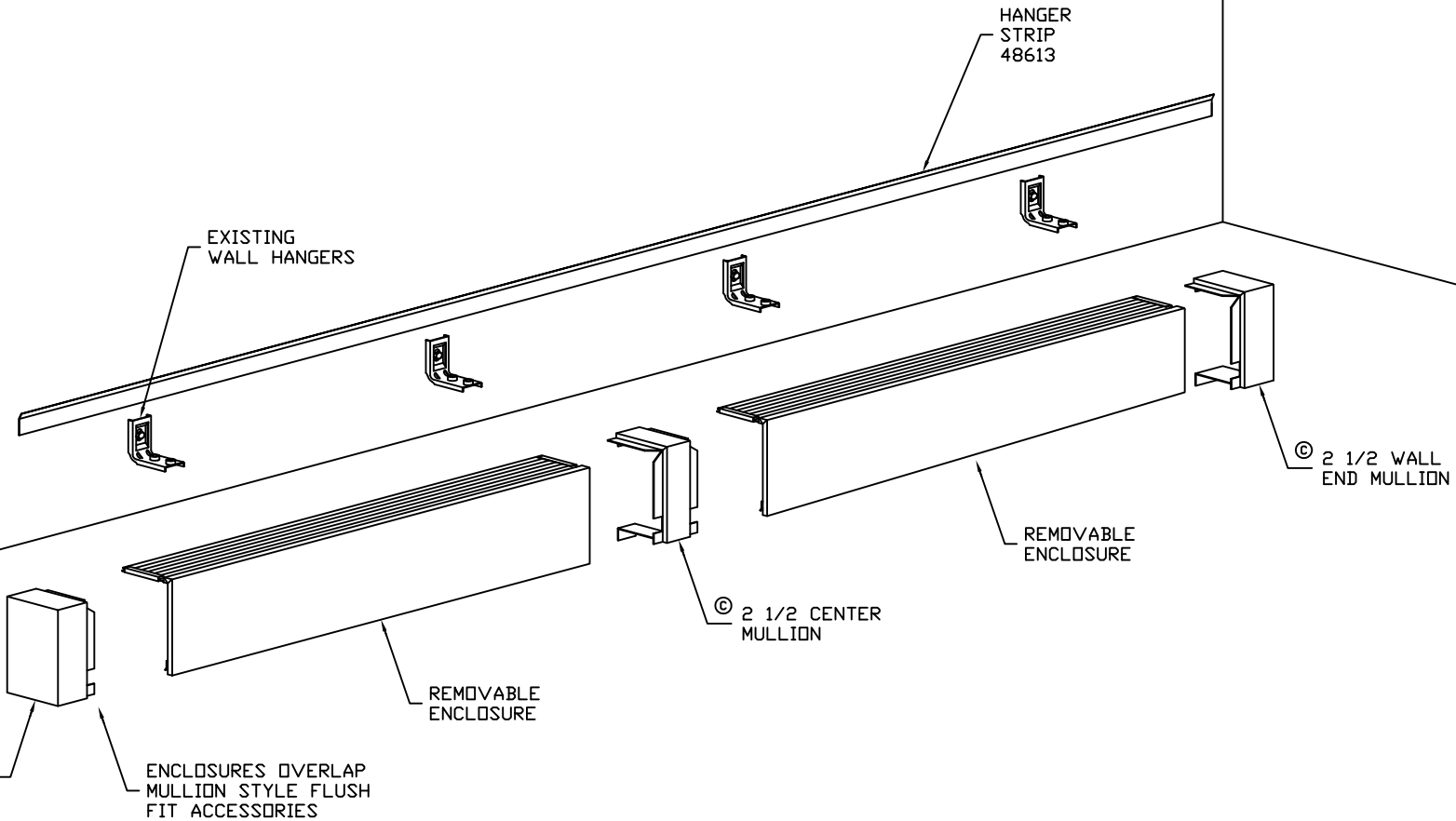


NOTES:

1. ENCLOSURE IS NOT SLIP JOINTED.
2. UNLESS OTHERWISE SPECIFIED FASTENERS ARE BY OTHERS.
3. ENCLOSURE AND ACCESSORY SHOWN SEPARATELY ABOVE FOR CLARITY.
4. ISOMETRIC ROOM LAYOUT SEE DWG 81512.

THIS PRINT AND ALL INFORMATION APPEARING THEREIN IS THE PROPERTY OF MESTEK INC. NEITHER THE PRINT NOR THE INFORMATION THEREIN MAY BE REPRODUCED OR USED IN ANY MANNER WHATSOEVER OR DIVULGED TO ANY OTHER PERSON UNLESS SPECIFICALLY AUTHORIZED BY MESTEK INC.

E				N/A	ADDED 2' CENTER MULLION	1/25/14	RJP		Vulcan Hydronic Products 260 North Elm Street Division of Westfield, MA 01085 Mestek, Inc.		C	
D				N/A	ADDED PART NUMBERS	8/15/13	MDG	RJP	DATE: 7/11/13	JOB NAME: 7 Hubert Street		
C				N/A	ADDED 2 1/2 TO ACCESSORIES, REMOVED EXISTING AND ADDED DWG # TO CRADLE & WALL HANGER	8/13/13	RJP	SFL	DRN BY: MDG	ELEMENT: EXISTING 3/4 COPPER TUBE		
B				N/A	V3-AR-8 WAS V3-AR-7, 8' WAS 7'	8/7/13	RJP	SFL	CHK BY: RJP	3 1/4 x 3 1/4 FINS		
A				N/A	7/16 WAS 1/2, 1 11/16 WAS 1 3/4, 16 GA WAS 18 GA, 48613 WAS 12930, 3 7/16 WAS 3 9/16, ADDED GUSSET	7/18/13	RJP	SFL	SCALE: 1=2	TITLE: INSTALLATION	DWG NO: 81511	REV: E
LET				ECN	NO	REVISION	DATE	BY	APVD	CUSTOM V3-AR-8 ①		



NOTES:

1. SECTION VIEW SEE DWG 81511.
2. UNLESS OTHERWISE SPECIFIED FASTENERS ARE BY OTHERS.

THIS PRINT AND ALL INFORMATION APPEARING THEREON IS THE PROPERTY OF MESTEK INC. NEITHER THE PRINT NOR THE INFORMATION THEREON MAY BE REPRODUCED OR USED IN ANY MANNER WHATSOEVER OR DIVULGED TO ANY OTHER PERSON UNLESS SPECIFICALLY AUTHORIZED BY MESTEK INC.

C		N/A	2 1/2 WAS 1 3/4 WIDTH MIN	8/13/13	RJP															
B		N/A	V3-AR-8 WAS V3-AR7	8/7/13	RJP	SFL														
A		N/A	REVISED MULLION ACCESSORIES	7/18/13	RJP	SFL														
LET.	ECN NO.		REVISION	DATE	BY	APVD.														

Vulcan Hydronic Products		C
260 North Elm Street Division of Westfield, MA 01085 Mestek, Inc.		
DATE	7/11/13	JOB NAME
DRN. BY	MDG	7 Hubert Street
CKD. BY	RJP	INSTALLATION:
SCALE	1=8	81511
TITLE	ISOMETRIC ROOM LAYOUT CUSTOM V3-AR-8 ®	DWG. NO. 81512
		REV. C